



# PARTS & RACING PRICE GUIDE

[FOR SYSTEM & KIT INFORMATION, REFER TO APPLICATIONS PRICE GUIDE]



**EFFECTIVE  
07/07/23**

Supersedes all previous price lists



MADE IN AMERICA



## DRIVES

CrankDrive	4
Gear Sets	4
Parts	4
RaceDrive	6
Gear Sets	6
Parts	6
DragsterDrive	8
Reverse Belt Drive	10
<b>*NEW*</b> LS Accessory Drive	12
<b>*NEW*</b> SBC/BBC Accessory Drive	14

## SUPERCHARGERS

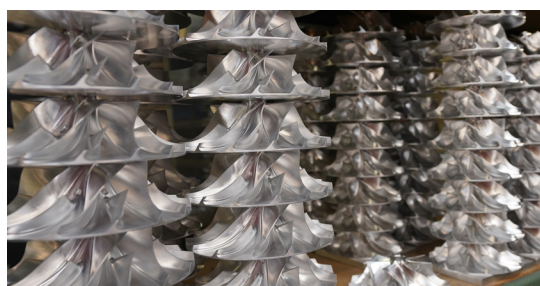
Street Supercharger Specs	16
Race Supercharger Specs	17
Clocking Specs	18
Superchargers	19
Supercharger Upgrades	20

## PARTS / COMPONENTS

Oil	21
Pulleys	22
Belts & Pulley Shims	26
Gauges	27
Fuel Components	27
Intercoolers	28
Tubing Kits	30
Carb Hats	31
Bypass Valves	32
Bellmouths	34
Inlet Guards	35
Air Filters	35
Brackets	36
Pin Kits	36
Crank Supports	37
Field Upgrades	38

## OTHER

Supercharger Speed Calculations	39
Apparel & Merchandise	40
Terms & Conditions	43



## WORLD CLASS QUALITY

ProCharger products are of the highest quality, with proven reliability, and possess the most sophisticated engineering. To meet these standards, we make nearly all products in-house at our headquarters campus in Kansas City. Our products are proudly Made in the USA.

## GET MORE INFORMATION | (913) 338-2886

For System & Kit Assistance: [sales@procharger.com](mailto:sales@procharger.com)  
 For Parts Sales & Tech Support: [ts@procharger.com](mailto:ts@procharger.com)  
 For Racing Sales & Support: [racing@procharger.com](mailto:racing@procharger.com)  
 For Catalogs & Other Requests: [cs@procharger.com](mailto:cs@procharger.com)



SHOP THESE  
PRODUCTS AT  
PROCHARGER.COM





# MOST WINS & CHAMPIONSHIPS

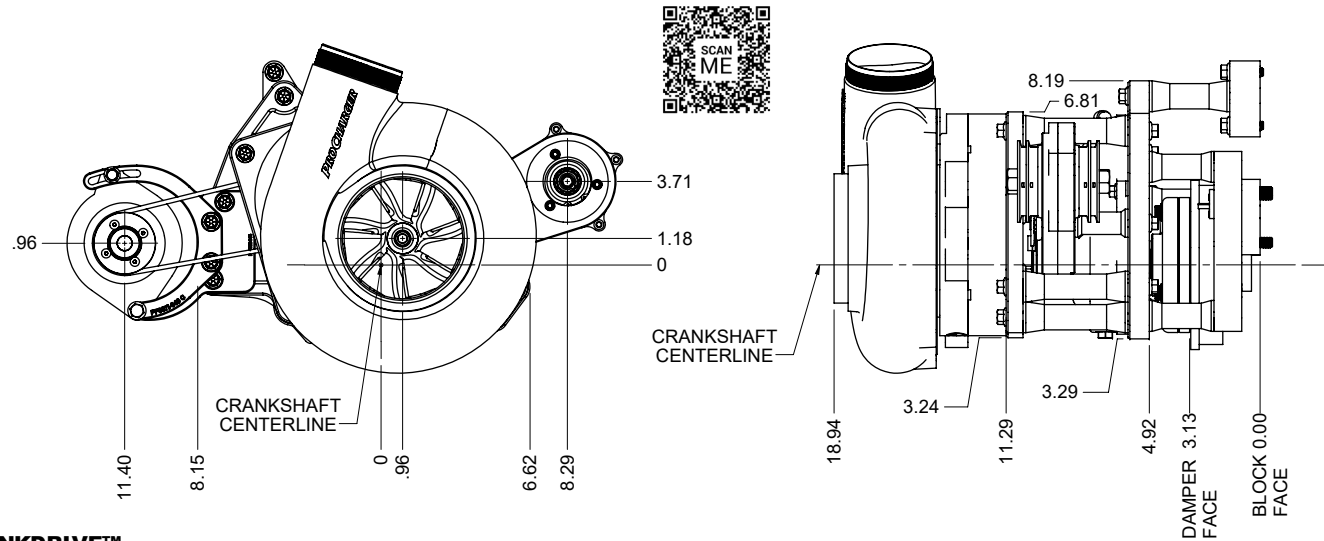
## BECOME PART OF THE PROCHARGER FAMILY





# BBC WITH F-3R

FOR DIMENSIONS OF OTHER APPLICATIONS, VISIT [PROCHARGER.COM](http://PROCHARGER.COM)



## CRANKDRIVE™

Part Number	Description	Price	Footnotes*
4CD-BBC-1	Chevrolet Big Block F-1/F-2 CrankDrive	\$4,323	all
4CD-SBC-1	Chevrolet Small Block F-1/F-2 CrankDrive	\$4,323	all
4CD-LSX-1	Chevrolet LSx F-1/F-2 CrankDrive	\$4,323	all
4CD-LT1-1	Chevrolet LT1 F-1/F-2 CrankDrive	\$4,323	all
4CD-SBF-1	Ford Small Block F-1/F-2 CrankDrive	\$4,323	all
4CD-COY-1	Ford Coyote F-1/F-2 CrankDrive	\$4,323	all
4CD-GOD-1	Ford Godzilla F-1/F-2 CrankDrive	\$4,323	all
4CD-BBC-3	Chevrolet Big Block F-3 CrankDrive	\$4,523	all
4CD-SBC-3	Chevrolet Small Block F-3 CrankDrive	\$4,523	all
4CD-LSX-3	Chevrolet LSx F-3 CrankDrive	\$4,523	all
4CD-LT1-3	Chevrolet LT1 F-3 CrankDrive	\$4,523	all
4CD-BBF-3	Ford Big Block F-3 CrankDrive	\$4,523	all
4CD-SBF-3	Ford Small Block F-3 CrankDrive	\$4,523	all
4CD-COY-3	Ford Coyote F-3 CrankDrive	\$4,523	all
4CD-GOD-3	Ford Godzilla F-3 CrankDrive	\$4,523	all
4CD-VED-3	Visner Small Block F-3 CrankDrive	\$4,923	all
4CD-481-3	AJ 481X F-3 CrankDrive	\$4,923	all
4CD-TFX-3	AJ TFX Hemi F-3/F-4 CrankDrive	\$4,923	all
4CD-NON-3	NOONAN 4.8/4.9/Small Block Hemi F-3/F-4 CrankDrive	\$4,923	all
4CD-BAE-3	BAE Hemi F-3/F-4 CrankDrive	\$4,923	all

\* Reference CrankDrive Footnotes on page 5.



# CRANKDRIVE™

## CRANKDRIVE™ OPTIONS

Part Number	Description	Price
add "-ACE"	Dual Accessory Drive Extended Length (w/ pulleys, cog belt, & 2 x 3/8" hex drives)	\$1,078
add "-ALT"	Alternator Drive (w/ Cog Belt)	\$898
PFG01A-XXX	CrankDrive - add 'I Quick-Change Gear Set	\$299
3PCCD-023	CrankDrive - Service Bag - Drive Bushing Hardware (Small Bushings, Large Bushings & O-Rings)	\$239
DB712I-12	CrankDrive - Alternator Drive Belt	\$39
DB640I-020	CrankDrive - Standard Accessory Drive Belt	\$49
DB680-020	CrankDrive - Extended Accessory Drive Belt	\$59

## CRANKDRIVE™ GEAR SETS

Part Number	Description	Price
PFG01A-034	CrankDrive Wide Gear Set #9Q 1.20 Ratio	\$299
PFG01A-026	CrankDrive Wide Gear Set #20 1.30 Ratio	\$299
PFG01A-032	CrankDrive Wide Gear Set #10 1.35 Ratio	\$299
PFG01A-027	CrankDrive Wide Gear Set #14 1.40 Ratio	\$299
PFG01A-036	CrankDrive Wide Gear Set #32 1.421 Ratio	\$299
PFG01A-033	CrankDrive Wide Gear Set #24 1.45 Ratio	\$299
PFG01A-028	CrankDrive Wide Gear Set #23 1.50 Ratio	\$299
PFG01A-037	CrankDrive Wide Gear Set #27 1.550 Ratio	\$299
PFG01A-029	CrankDrive Wide Gear Set #29 1.60 Ratio	\$299
PFG01A-035	CrankDrive Wide Gear Set #31 1.667 Ratio	\$299
PFG01A-030	CrankDrive Wide Gear Set #33A 1.70 Ratio	\$299
PFG01A-031	CrankDrive Wide Gear Set #53 1.79 Ratio	\$299

## CRANKDRIVE™ PARTS

Part Number	Description	Price
3PCCD-001	CrankDrive Input Coupler	\$578
3PCCD-011	CrankDrive Alternator Bag	\$898
3PCCD-020	CrankDrive Accessory Drive Extended	\$1,078
3PCCD-023	CrankDrive Service Bag	\$239
3PCCD-030	CrankDrive Acc. Fittings Bag - 3/8 Hex	\$110
3PCCD-031	CrankDrive Acc. Fittings Bag - 1/2 Hex Includes Ext V-Band Flange	\$550
3PCCD-032	CrankDrive Acc. Fittings Bag - 5/8 Round Includes Ext V-Band Flange	\$550
3PCCD-035	CrankDrive Acc. Fittings Bag - 1/2 Round Aeromotive Black	\$675
3PCCD-036	CrankDrive Acc. Fittings Bag - 3/8 Waterman Lil Bertha	\$675
PF007I-098	Fuel Pump V-Band Collar - Aeromotive Black	\$475
PF007I-104	Fuel Pump V-Band Collar - Waterman Lil Bertha	\$475

## CrankDrive Footnotes

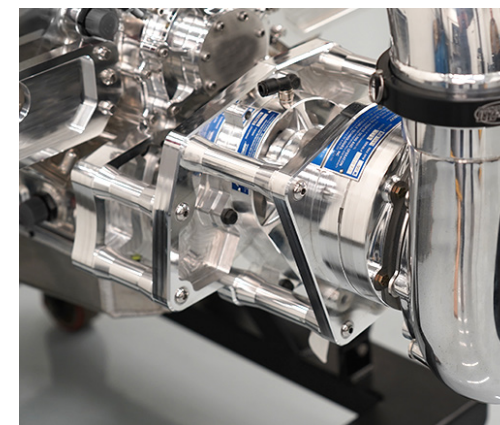
CD1) Drive spacing is engine and component specific. Contact ProCharger Racing for specific balancer, degree wheel, crank trigger, crankshaft spacing and motorplate part number compatibility

CD2) Optional Alternator Drive Requires GM CS121/CS130 6.14" Alternator

CD3) Optional Accessory Drive: 50% reduction rate, V-Band 3/8 Hex, specify Standard or extended length drive option

CD4) One set of Quick-Change Gears included with purchase, additional gear sets available, sold separately

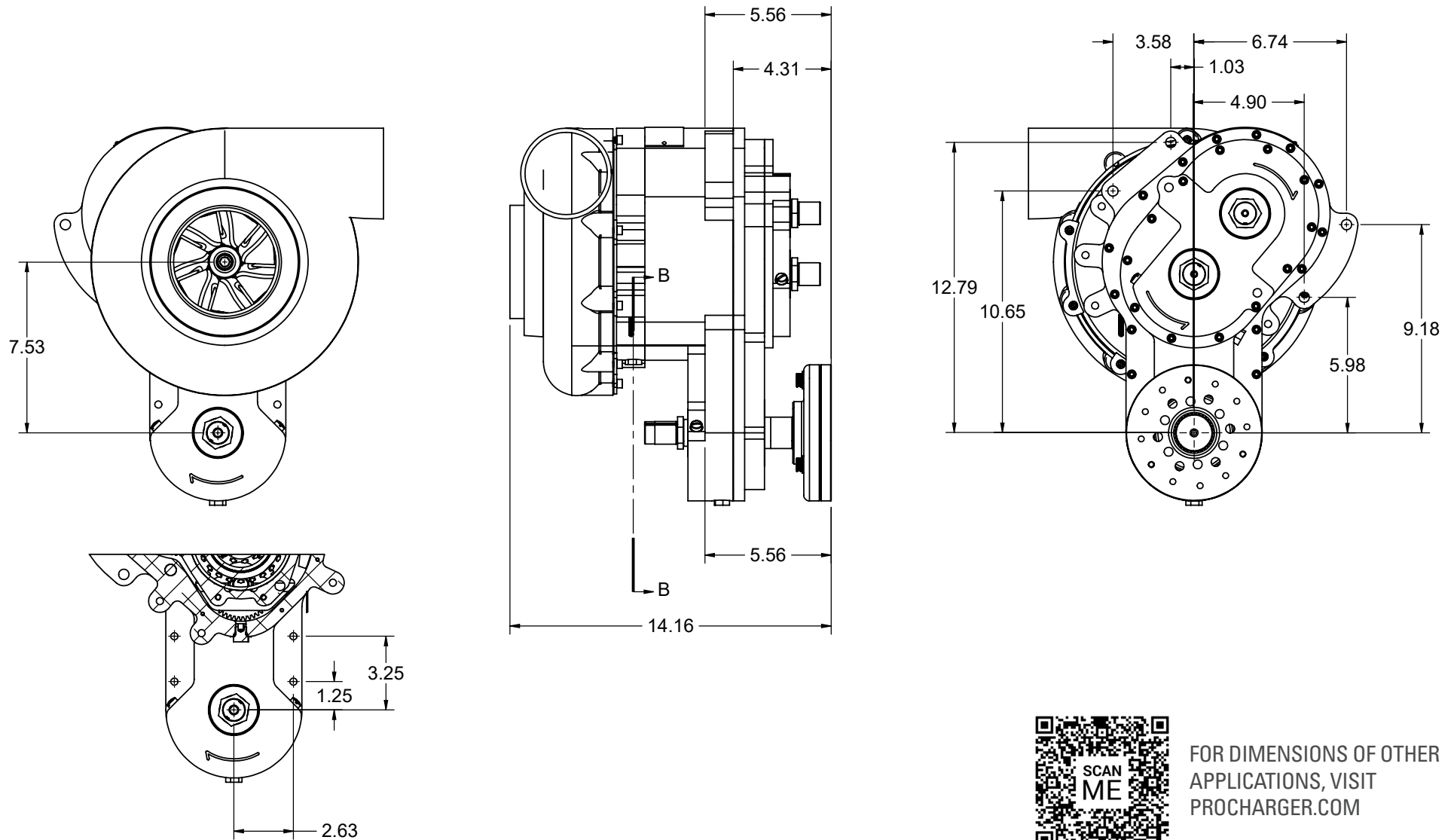
CD5) SPECIFY: With or without motor plate; Standard or extended snout (RCD) Crankshaft;





# RACEDRIVE, LONG SPLINED SHAFT

(SHORT SPLINED SHAFT OPTIONAL)



SECTION B-B



FOR DIMENSIONS OF OTHER  
APPLICATIONS, VISIT  
[PROCHARGER.COM](http://PROCHARGER.COM)



**RACEDRIVE™**

Part Number	Description	Price
PC314A-12A-RD	F-3R-112RD (F-1X-12RD) ProCharger RaceDrive	\$11,998
PC314A-121-RD	F-3R-121RD ProCharger RaceDrive	\$11,998
PC016A-006	Polished Finish of RaceDrive Models (at time of purchase)	\$1,100

**RACEDRIVE™ QUICK CHANGE GEAR SETS**

Part Number	Description	Price
PFG01A-014/015	RaceDrive Narrow Quick-Change Gear Set #9A For 1.200 Ratio	\$330
PFG01A-016/017	RaceDrive Narrow Quick-Change Gear Set #13 For 1.250 Ratio	\$330
PFG01A-018/019	RaceDrive Narrow Quick-Change Gear Set #20 For 1.300 Ratio	\$330
PFG01A-020/021	RaceDrive Narrow Quick-Change Gear Set #10 For 1.353 Ratio	\$330
PFG01A-022/023	RaceDrive Narrow Quick-Change Gear Set #14A For 1.400 Ratio	\$330
PFG01A-024/025	RaceDrive Narrow Quick-Change Gear Set #24 For 1.450 Ratio	\$330
PFG01A-006/007	RaceDrive Narrow Quick-Change Gear Set #21A For 1.533 Ratio	\$330
PFG01A-008/009	RaceDrive Narrow Quick-Change Gear Set #43 For 1.563 Ratio	\$330

**RACEDRIVE™ PARTS**

Part Number	Description	Price
PFS02A-015	F-3-RD Top & Bottom Aux Shaft - LH	\$113
PFS02A-016	F-3-RD Middle Aux Shaft - RH	\$121
PFS02A-018	RaceDrive Aux Shaft For Acc. Drive - LH	\$322
3PCCD-001	RaceDrive Input Coupler	\$578

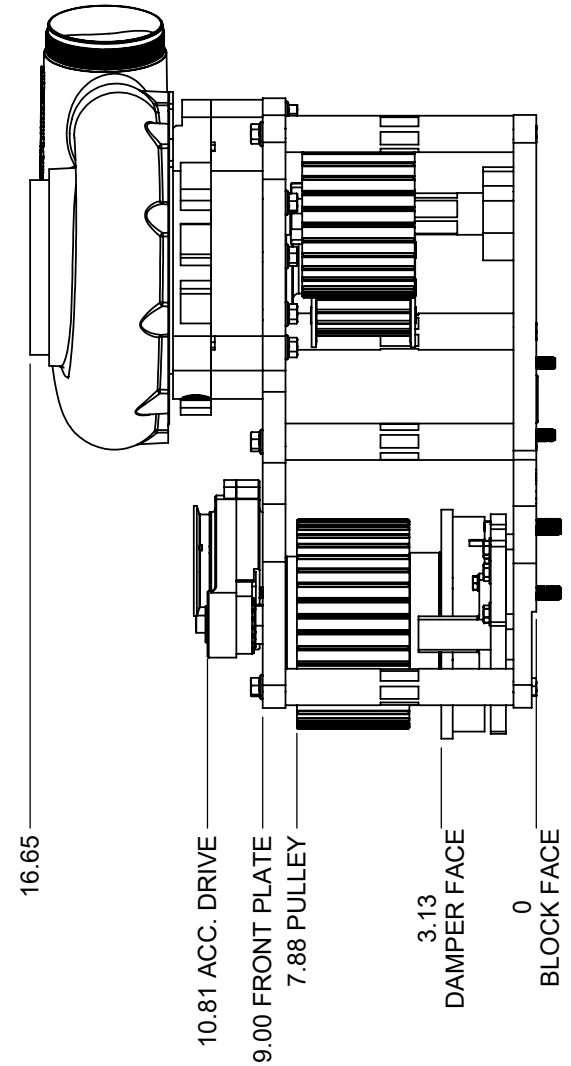
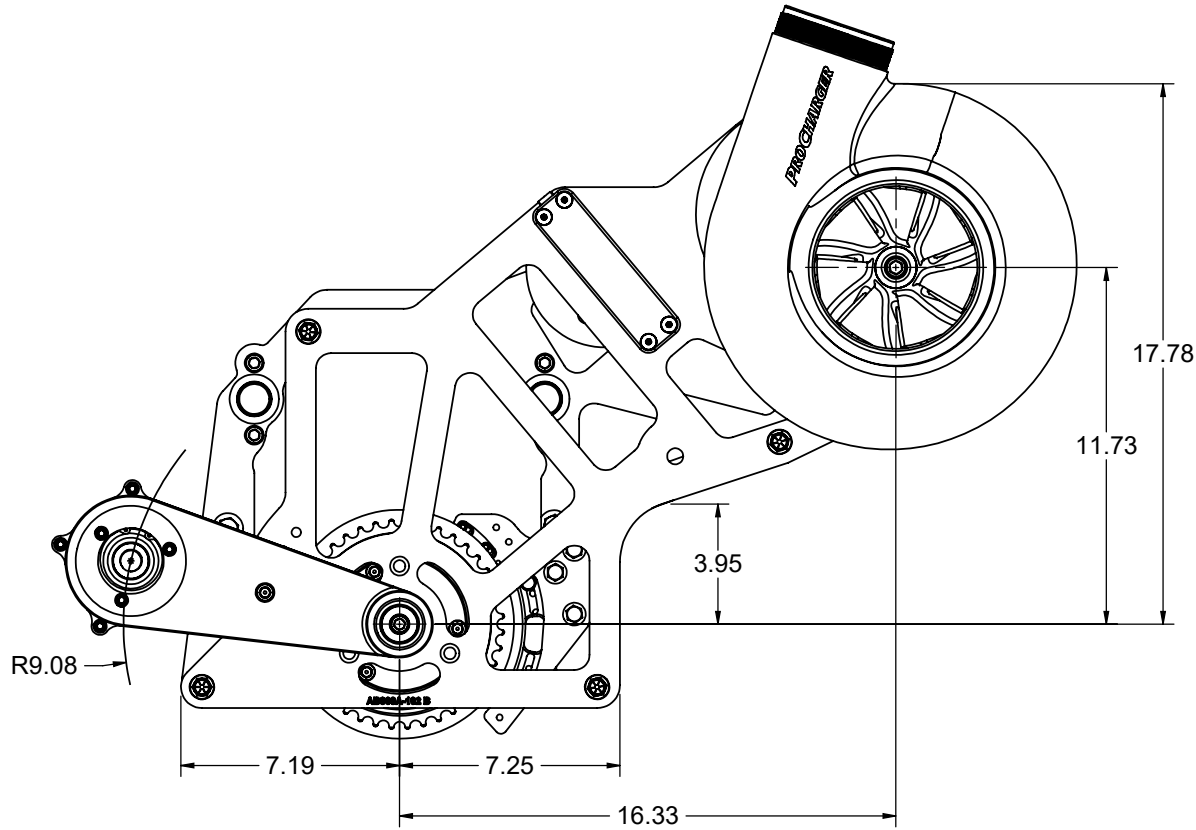
**RaceDrive™  
Footnotes**

RaceDrive does not include any engine brackets. Contact ProCharger for your application  
Specify Short or Long Splined shaft



## BBC DRAGSTER DRIVE F-3 14MM

FOR DIMENSIONS OF OTHER APPLICATIONS, VISIT [PROCHARGER.COM](http://PROCHARGER.COM)



# DRAGSTERDRIVE™

## DRAGSTERDRIVE™ COG DRIVE - REVERSE ROTATION (INLET FACES FORWARD)

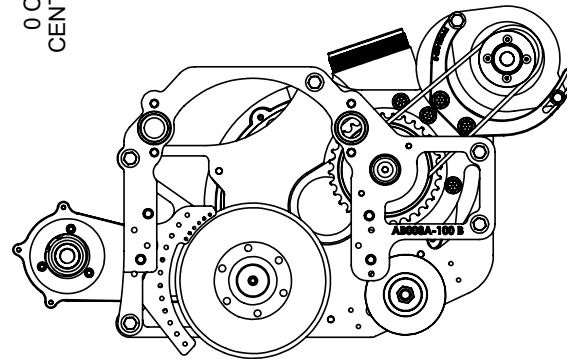
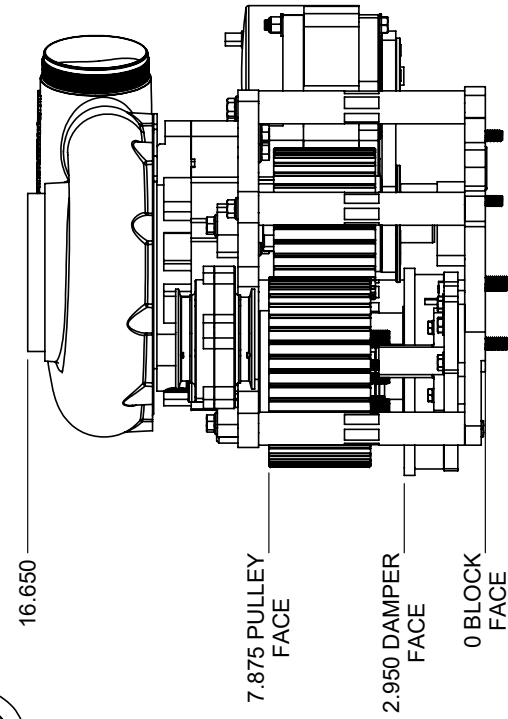
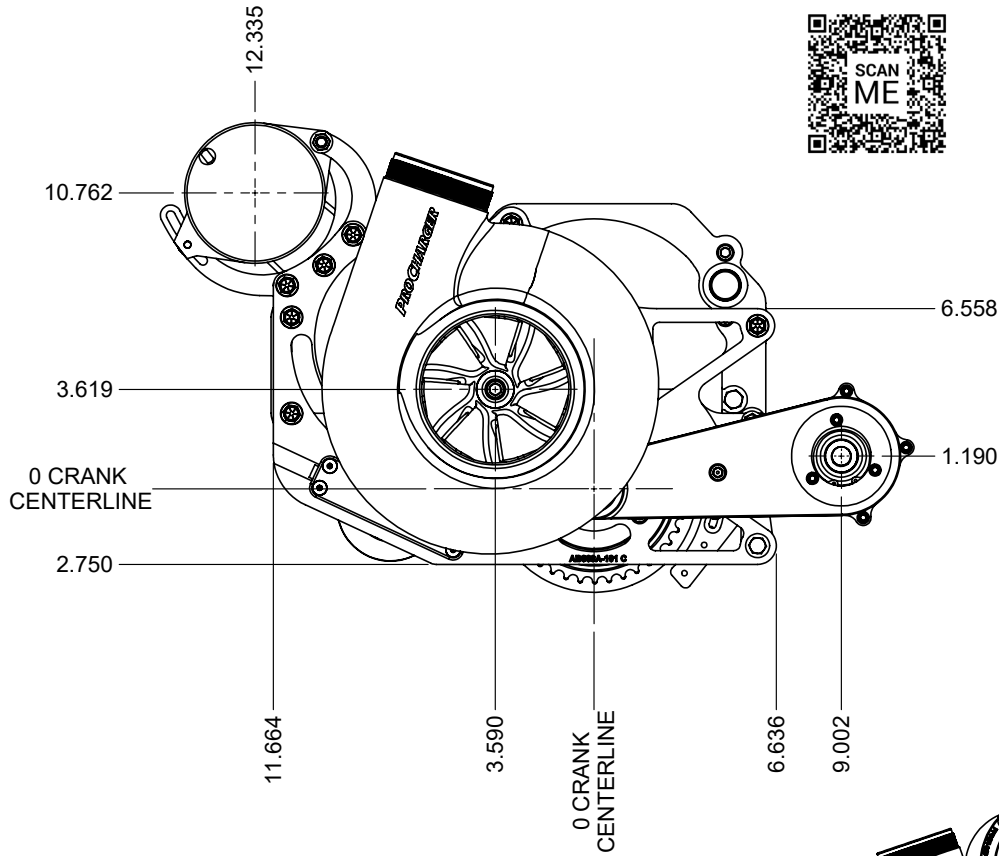
Part Number	Description	Price
4DD-BBC-3	Chevrolet Big Block F-3 DragsterDrive	\$4,523
specify	Hub Type (Splined or Keyed Shaft)	specify
add "-ACC"	Dual Accessory Drive Standard Length (w/ pulleys, cog belt, & 2 x 3/8" hex drives)	\$1,078
add "-ACE"	Dual Accessory Drive Extended Length (w/ pulleys, cog belt, & 2 x 3/8" hex drives)	\$1,078
<b>DragsterDrive Footnotes</b>	Drive spacing is engine and component specific. Contact ProCharger Racing for specific balancer, degree wheel, crank trigger, crankshaft spacing and motorplate compatibility.	





## BBC REVERSE BELT DRIVE

FOR DIMENSIONS OF OTHER APPLICATIONS, VISIT [PROCHARGER.COM](http://PROCHARGER.COM)



ENGINE SIDE

# REVERSE BELT DRIVE

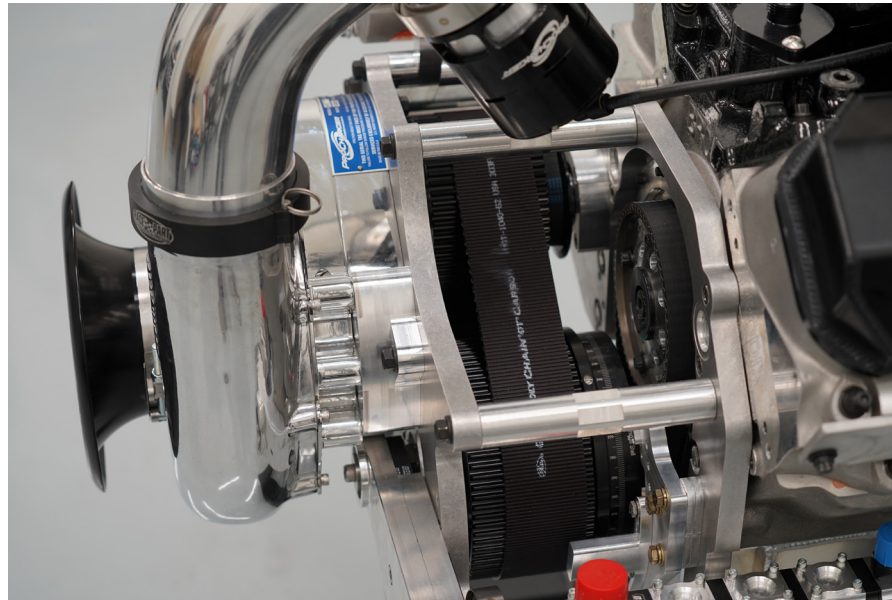
## REVERSE BELT DRIVE (CENTER MOUNT COG BELT)

Part Number	Description	Price
4BD-BBC-3	Chevrolet Big Block F-3 Reverse Belt Drive	\$4,923
4BD-LSX-3	Chevrolet LSx F-3 Reverse Belt Drive	call
4BD-SBF-3	Ford Small Block F-3 Reverse Belt Drive	call

\*\*\*Call for availability on additional applications\*\*\*

specify	Hub Type (Splined or Keyed shaft)	specify
add "-ACE"	Dual Accessory Drive Extended Length (w/ pulleys, cog belt, & 2 x 3/8" hex drives)	\$1,078
add "-ALT"	Alternator Drive (w/ Cog Belt)	\$898

<b>Reverse Belt Drive Footnotes</b>	Drive spacing is engine and component specific. Contact ProCharger Racing for specific balancer, degree wheel, crank trigger, crankshaft spacing and motorplate compatibility.
-------------------------------------	--





**\*NEW\* LS SERPENTINE ACCESSORY DRIVE KIT (PROCHARGER OPTIONAL)**

Year	Part Number	Description	Boost Options	HP Gain	Intercooler	Price
specify	1LS300	Serpentine Accessory Drive (with crank pulley + alternator bracket + water pump)	-	-	-	\$2,299
specify	1LS400	with ProCharger bracket, tensioner and 8 rib belt	-	-	-	\$2,949
specify	1LS300-PS	Serpentine Accessory Drive (with crank pulley + water pump + alternator bracket & p/s bracket)	-	-	-	\$2,599
specify	1LS400-PS	with ProCharger bracket, tensioner and 8 rib belt	-	-	-	\$3,249
specify	1LS300-AC	Serpentine Accessory Drive (with crank pulley + water pump + alternator bracket & a/c bracket)	-	-	-	\$2,499
specify	1LS400-AC	with ProCharger bracket, tensioner and 8 rib belt	-	-	-	\$3,149
specify	1LS300-PS-AC	Serpentine Accessory Drive (with crank pulley + water pump + alternator bracket, p/s bracket & a/c bracket)	-	-	-	\$2,799
specify	1LS400-PS-AC	with ProCharger bracket, tensioner and 8 rib belt	-	-	-	\$3,449
specify	1LS400-P1SC	Serpentine Accessory Drive Kit with P-1SC-1 (with water pump and all accessory brackets)	specify	specify	-	\$5,899
specify	1LS400-P1SC-I	Serpentine Accessory Drive Kit with Intercooled P-1SC-1 (with water pump and all acc brackets)	specify	specify	2 core (550 hp)	\$6,799
specify	1LS400-P1X	Serpentine Accessory Drive Kit with P-1X (with water pump and all accessory brackets)	specify	specify	-	\$6,149
specify	1LS400-P1X-I	Serpentine Accessory Drive Kit with Intercooled P-1X (with water pump and all accessory brackets)	specify	specify	2 core (550 hp)	\$7,049
specify	1LS400-D1SC	Serpentine Accessory Drive Kit with D-1SC (with water pump and all accessory brackets)	specify	specify	-	\$6,199
specify	1LS400-D1SC-I	Serpentine Accessory Drive Kit with Intercooled D-1SC (with water pump and all accessory brackets)	specify	specify	3 core (825 hp)	\$7,499
specify	1LS400-D1X	Serpentine Accessory Drive Kit with D-1X (with water pump and all accessory brackets)	specify	specify	-	\$6,399
specify	1LS400-D1X-I	Serpentine Accessory Drive Kit with Intercooled D-1X (with water pump and all acc brackets)	specify	specify	3 core (825 hp)	\$7,599
specify	1LS400-F1D/F1/F1A	Serpentine Accessory Drive Kit with F-1D, F-1, or F-1A (with water pump and all accessory brackets)	specify	specify	-	\$7,349
specify	1LS400-F1D-I/F1-I/F1A-I	Serpentine Accessory Drive Kit with Intercooled F-1D, F-1, or F-1A (with w/p and all acc brackets)	specify	specify	Sht mtl 3C (950 hp)	\$8,749
specify	1LS400-F1A94/F1C/F1R	Serpentine Accessory Drive Kit with F-1A-94, F-1C or F-1R (with water pump and all accessory brackets)	specify	specify	-	\$7,749
specify	1LS400-F1A94-I/F1C-I/F1R-I	Serpentine Accessory Drive Kit with Intercooled F-1A-94, F-1C or F-1R (w/p and all acc brackets)	specify	specify	Sht mtl 3C (1050 hp)	\$9,349
specify	1LS400-F1X	Serpentine Accessory Drive Kit with F-1X (10 rib) (with water pump and all accessory brackets)	specify	specify	-	\$9,399
specify	1LS400-F1X-I	Serpentine Accessory Drive Kit with Intercooled F-1X (10 rib) with w/p and all acc brackets)	specify	specify	Sht mtl 3C (1300 hp)	\$10,899
specify	1LS400-F2	Serpentine Accessory Drive Kit with F-2 (10 rib) (with water pump and all accessory brackets)	specify	specify	-	\$9,599
specify	1LS400-F2-I	Serpentine Accessory Drive Kit with Intercooled F-2 (10 rib) (with w/p and all acc brackets)	specify	specify	Sht mtl 3C (1300 hp)	\$11,099

LS Serpentine Accessory Drive Kit Options	add "B" or "P" to part #	Black or Polished finish for ProCharger (P-series or D-series)	specify	specify	-	+	\$325
	add "B" or "P" to part #	Black or Polished finish for ProCharger (F-series 9"-9.75" housing)	specify	specify	-	+	\$375
	add "B" or "P" to part #	Black or Polished finish for ProCharger (F-series, 10.5" housing)	specify	specify	-	+	\$425
	add "BAC" or "PAC"	Black or Polished finish for air conditioning bracket	specify	specify	-	+	\$75
	add "BPB" or "PPB"	Black or Polished finish for power steering bracket	specify	specify	-	+	\$75
	add "BB" or "PB" to part #	Black or Polished finish for supercharger bracket, water pump, alternator bracket, and tensioner	specify	specify	-	+	\$450
	add "BC" or "PC" to part #	Black or Polished finish for carburetor HAT	specify	specify	-	+	\$100
	add "H" to part #	Helical gearset for noise reduction (P-1SC-1, P-1X, D-1SC, D-1X)	same	same	-	+	\$110
	add "OPB"	Omit power steering belt, bracket & pulley	-	-	-	-	-\$300
	add "OAB"	Omit air conditioning bracket & pulley	-	-	-	-	-\$200
	3LSBB-006	Add ProCharger supercharger bracket 8 rib, tensioner & belt (included with 1LS400)	from 1LS300	-	-	-	+\$1628
	3GKMM-004	Crank pin kit	-	-	-	-	+\$109
	add "10R" to part #	10-Rib supercharger drive belt (from 8 rib)	from 8 rib	-	-	-	+\$375
	call	Add Satin / Black / Chrome alternator	-	-	-	-	call
	call	Add Satin / Black / Chrome power steering pump	-	-	-	-	call
	call	Add Satin / Black / Chrome air conditioning compressor	-	-	-	-	call
	AI003A-001	3 core intercooler (825 hp)	from non-ic kit	3" in/outlet	-	-	+\$1,198
AI003A-002	Sheet metal 3 core race intercooler (950 hp)	from non-ic kit	3" in/outlet	-	-	+\$1,398	
AI003A-005	Sheet metal 3 core race intercooler (1050 hp)	from non-ic kit	3.5" in/outlet	-	-	+\$1,498	
AI045A-001	Sheet metal 3 core race intercooler (1300 hp)	from non-ic kit	3.5" in/outlet	-	-	+\$1,798	
AI006A-001	Sheet metal 3 core race intercooler (1550 hp)	from non-ic kit	4" in/outlet	-	-	+\$2,298	
AM006A-001	Low Profile carburetor HAT (3" inlet, 2" height)	-	-	-	-	+\$180	
AM009A-001	Standard carburetor HAT (3.5" inlet, 2.75" height)	-	-	-	-	+\$199	
AM001A-001	Competition carburetor HAT (3.5" inlet, 4.15" height)	-	-	-	-	+\$240	



FOR MORE INFORMATION:  
SCAN CODE OR VISIT

**PROCHARGER.COM/LS-SERPENTINE-ACCESSORY-DRIVE-KIT**

# SPECIFICATIONS (LS SERPENTINE ACCESSORY DRIVE KIT)

## \*NEW\* LS SERPENTINE ACCESSORY DRIVE KIT SPECIFICATIONS

Year	Part Number	Stock HP	HP Gain	Tube Diam	Carb Hat	Drive System	Bypass Valve	Water Pump	Alternator Bracket	Power Steering Bracket	Air Cond. Bracket	Supercharger Warranty (in months)	Tubing Supplied	Foot Notes
specify	1LS300	N/A	specify	-	optional	6 rib Acc Drive	-	included	included	-	-	12	-	all
specify	1LS400	N/A	specify	-	optional	6 rib / 8 rib	-	included	included	-	-	12	-	all
specify	1LS300-PS	N/A	specify	-	optional	6 rib Acc Drive	-	included	included	included	-	12	-	all
specify	1LS400-PS	N/A	specify	-	optional	6 rib / 8 rib	-	included	included	included	-	12	-	all
specify	1LS300-AC	N/A	specify	-	optional	6 rib Acc Drive	-	included	included	-	included	12	-	all
specify	1LS400-AC	N/A	specify	-	optional	6 rib / 8 rib	-	included	included	-	included	12	-	all
specify	1LS300-PS-AC	N/A	specify	-	optional	6 rib Acc Drive	-	included	included	included	included	12	-	all
specify	1LS400-PS-AC	N/A	specify	-	optional	6 rib / 8 rib	-	included	included	included	included	12	-	all
specify	1LS400-P1SC1	N/A	specify	-	optional	6 rib / 8 rib	ProFlow	included	included	included	included	12	-	all
specify	1LS400-P1SC1-I	N/A	specify	3"	optional	6 rib / 8 rib	ProFlow	included	included	included	included	12	yes	all
specify	1LS400-P1X	N/A	specify	-	optional	6 rib / 8 rib	ProFlow	included	included	included	included	12	-	all
specify	1LS400-P1X-I	N/A	specify	3"	optional	6 rib / 8 rib	ProFlow	included	included	included	included	12	yes	all
specify	1LS400-D1SC	N/A	specify	-	optional	6 rib / 8 rib	ProFlow	included	included	included	included	12	-	all
specify	1LS400-D1SC-I	N/A	specify	3"	optional	6 rib / 8 rib	ProFlow	included	included	included	included	12	yes	all
specify	1LS400-D1X	N/A	specify	-	optional	6 rib / 8 rib	ProFlow	included	included	included	included	12	-	all
specify	1LS400-D1X-I	N/A	specify	3"	optional	6 rib / 8 rib	ProFlow	included	included	included	included	12	yes	all
specify	1LS400-F1D/F1/F1A	N/A	specify	-	optional	6 rib / 8 rib	Race Valve	included	included	included	included	12	-	all
specify	1LS400-F1D-I/F1-I/F1A-I	N/A	specify	3"	optional	6 rib / 8 rib	Race Valve	included	included	included	included	12	yes	all
specify	1LS400-F1A94/F1C/F1R	N/A	specify	-	optional	6 rib / 8 rib	Race Valve	included	included	included	included	12	-	all
specify	1LS400-F1A94-I/F1C-I/F1R-I	N/A	specify	3.5"	optional	6 rib / 8 rib	Race Valve	included	included	included	included	12	yes	all
specify	1LS400-F1X	N/A	specify	-	optional	6 rib / 10 rib	Race Valve	included	included	included	included	12	-	all
specify	1LS400-F1X-I	N/A	specify	3.5"	optional	6 rib / 10 rib	Race Valve	included	included	included	included	12	yes	all
specify	1LS400-F2	N/A	specify	-	optional	6 rib / 10 rib	Race Valve	included	included	included	included	12	-	all
specify	1LS400-F2-I	N/A	specify	3.5"	optional	6 rib / 10 rib	Race Valve	included	included	included	included	12	yes	all



FOR MORE INFORMATION:  
SCAN CODE OR VISIT  
[PROCHARGER.COM/LS-SERPENTINE-ACCESSORY-DRIVE-KIT](http://PROCHARGER.COM/LS-SERPENTINE-ACCESSORY-DRIVE-KIT)

### LS ENGINE SWAP FOOTNOTES (specific to above applications):

- LL1) Requires Innovators West P/N 844-10-rib or 843-8-rib, or ATI Performance Products Balancer p/n 917345 (8-rib) and p/n 917347X (10-rib)
- LL2) Pinning crank pulley is recommended
- LL3) Can be ordered without a/c.
- LL4) Can be ordered without power steering
- LL5) Not available for LS7
- LL6) Not tall deck compatible
- LL7) Not compatible with VVT

### COMPATIBLE GM ACCESSORIES

Description	Part #	Manufacturer/Notes
Power Steering Pump	6175AL	Tuff Stuff (or equivalent), GM Type 2
Alternator	20881337	GM, 2007-2013
A/C Compressor	SD-7B10	Sanden, 6-rib
Reservoir	6175ARES	Required
Water Pump (supplied)		



CONTACT US AT (913) 338-2886 OR LEARN MORE AT [PROCHARGER.COM](http://PROCHARGER.COM)



**\*NEW\* SBC/BBC SERPENTINE ACCESSORY DRIVE KIT (PROCHARGER OPTIONAL)**

Part Number SBC	Part Number BBC	Description	Boost Options	HP Gain	Intercooler	Price
1CA300	1CB300	Serpentine Accessory Drive (with crank pulley + alternator bracket)	-	-	-	\$2,199
1CA400	1CB400	with ProCharger bracket, tensioner and 8 rib belt	-	-	-	\$2,799
1CA300-PS	1CB300-PS	Serpentine Accessory Drive (with crank pulley + alternator bracket & p/s bracket)	-	-	-	\$2,499
1CA400-PS	1CB400-PS	with ProCharger bracket, tensioner and 8 rib belt	-	-	-	\$3,099
1CA300-AC	1CB300-AC	Serpentine Accessory Drive (with crank pulley + alternator bracket & a/c bracket)	-	-	-	\$2,399
1CA400-4C	1CB400-4C	with ProCharger bracket, tensioner and 8 rib belt	-	-	-	\$2,999
1CA300-PS-AC	1CB300-PS-AC	Serpentine Accessory Drive (with crank pulley + alternator bracket, p/s bracket & a/c bracket)	-	-	-	\$2,699
1CA400-PS-AC	1CB400-PS-AC	with ProCharger bracket, tensioner and 8 rib belt	-	-	-	\$3,299
1CA400-P1SC	1CB400-P1SC	Serpentine Accessory Drive Kit with P-1SC-1 (with all accessory brackets)	specify	specify	-	\$5,699
1CA400-P1SC-1	1CB400-P1SC-1	Serpentine Accessory Drive Kit with Intercooled P-1SC-1 (with all acc brackets)	specify	specify	2 core (550 hp)	\$6,599
1CA400-P1X	1CB400-P1X	Serpentine Accessory Drive Kit with P-1X (with all accessory brackets)	specify	specify	-	\$5,949
1CA400-P-1X-I	1CB400-P-1X-I	Serpentine Accessory Drive Kit with Intercooled P-1X (with all accessory brackets)	specify	specify	2 core (550 hp)	\$6,849
1CA400-D1SC	1CB400-D1SC	Serpentine Accessory Drive Kit with D-1SC (with all accessory brackets)	specify	specify	-	\$5,999
1CA400-D1SC-I	1CB400-D1SC-I	Serpentine Accessory Drive Kit with Intercooled D-1SC (with all accessory brackets)	specify	specify	3 core (825 hp)	\$7,399
1CA400-D1X	1CB400-D1X	Serpentine Accessory Drive Kit with D-1X (with all accessory brackets)	specify	specify	-	\$6,199
1CA400-D1X-I	1CB400-D1X-I	Serpentine Accessory Drive Kit with Intercooled D-1X (with all acc brackets)	specify	specify	3 core (825 hp)	\$7,399
1CA400-F1D/F1A	1CB400-F1D/F1A	Serpentine Accessory Drive Kit with F-1D, F-1, or F-1A (with all accessory brackets)	specify	specify	-	\$7,149
1CA400-F1D-I/F1-I/F1A-I	1CB400-F1D-I/F1-I/F1A-I	Serpentine Accessory Drive Kit with Intercooled F-1D, F-1, or F-1A (with w/p and all acc brackets)	specify	specify	Sht mtl 3C (950 hp)	\$8,499
1CA400-F1A94/F1C/F1R	1CB400-F1A94/F1C/F1R	Serpentine Accessory Drive Kit with F-1A-94, F-1C or F-1R (with all accessory brackets)	specify	specify	-	\$7,499
1CA400-F1A94-I/F1C-I/F1R-I	1CB400-F1A94-I/F1C-I/F1R-I	Serpentine Accessory Drive Kit with Intercooled F-1A-94, F-1C or F-1R (w/p and all acc brackets)	specify	specify	Sht mtl 3C (1050 hp)	\$8,999
1CA400-F1X	1CB400-F1X	Serpentine Accessory Drive Kit with F-1X (10 rib) (with all accessory brackets)	specify	specify	-	\$9,049
1CA400-F1X-I	1CB400-F1X-I	Serpentine Accessory Drive Kit with Intercooled F-1X (10 rib) with w/p and all acc brackets)	specify	specify	Sht mtl 3C (1300 hp)	\$10,549
1CA400-F2	1CB400-F2	Serpentine Accessory Drive Kit with F-2 (10 rib) (with all accessory brackets)	specify	specify	-	\$9,249
1CA400-F2-I	1CB400-F2-I	Serpentine Accessory Drive Kit with Intercooled F-2 (10 rib) (with w/p and all acc brackets)	specify	specify	Sht mtl 3C (1300 hp)	\$10,749

SBC/BBC Serpentine Accessory Drive Kit Options	add "B" or "P" to part #	Black or Polished finish for ProCharger (P-series or D-series)	satin Standard	-	-	+\$325
	add "B" or "P" to part #	Black or Polished finish for ProCharger (F-series 9"-9.75" housing)	satin Standard	-	-	+\$375
	add "B" or "P" to part #	Black or Polished finish for ProCharger (F-series, 10.5" housing)	satin Standard	-	-	+\$425
	add "BAC" or "PAC"	Black or Polished finish for air conditioning bracket	satin Standard	-	-	+\$75
	add "BPB" or "PPB"	Black or Polished finish for power steering bracket	satin Standard	-	-	+\$75
	add "BB" or "PB" to part #	Black or Polished finish for supercharger bracket, alternator bracket, and tensioner	satin Standard	-	-	+\$450
	add "BC" or "PC" to part #	Black or Polished finish for carburetor HAT	satin Standard	-	-	+\$100
	add "H" to part #	Helical gearset for noise reduction (P-1SC-1, P-1X, D-1SC, D-1X)	same	same	-	+\$110
	add "OPB"	Omit power steering belt, bracket & pulley	-	-	-	-\$300
	add "OAB"	Omit air conditioning bracket & pulley	-	-	-	-\$200
	3CXBB-006	Add ProCharger supercharger bracket 8 rib, tensioner & belt (included with 1CA400 & 1CB400)	from 1CX300	-	-	+\$1628
	add "-10R" to part #	10-Rib supercharger drive belt (from 8 rib)	from 8 rib	-	-	+\$375
	call	Add water pump	-	-	-	call
	call	Add Satin / Black / Chrome alternator	-	-	-	call
	call	Add Satin / Black / Chrome power steering pump	-	-	-	call
	call	Add Satin / Black / Chrome air conditioning compressor	-	-	-	call
	AI003A-001	3 core intercooler (825 hp)	from non-ic kit	3" in/outlet	-	+\$1,198
	AI003A-002	Sheet metal 3 core race intercooler (950 hp)	from non-ic kit	3" in/outlet	-	+\$1,398
AI003A-005	Sheet metal 3 core race intercooler (1050 hp)	from non-ic kit	3.5" in/outlet	-	+\$1,498	
AI045A-001	Sheet metal 3 core race intercooler (1300 hp)	from non-ic kit	3.5" in/outlet	-	+\$1,798	
AM009A-001	Standard Carb Hat 4150 (3.5" Inlet, 2.75" Height satin)	-	-	-	\$242	
AM001A-001	Competition Carb Hat 4150 (3.5" Inlet, 4.5" Height satin)	-	-	-	\$292	
AM001A-002P	Competition Carb Hat 4500 (5" Inlet, 5.5" Height Polished Finish)	-	-	-	\$468	



FOR MORE INFORMATION:  
SCAN CODE OR VISIT

[PROCHARGER.COM/SBC-BBC-ACCESSORY-DRIVE-KIT](http://PROCHARGER.COM/SBC-BBC-ACCESSORY-DRIVE-KIT)

# SPECIFICATIONS (SMALL BLOCK & BIG BLOCK CHEVY)

## **\*NEW\*** SBC/BBC SERPENTINE ACCESSORY DRIVE KIT SPECIFICATIONS

Part Number SBC	Part Number BBC	Stock HP	HP Gain	Tube Diam	Carb Hat	Drive System	Bypass Valve	Water Pump	Alternator Bracket	Power Steering Bracket	Air Cond. Bracket	Supercharger Warranty (in months)	Tubing Supplied	Foot Notes
1CA300	1CB300	N/A	specify	-	optional	6 rib Acc Drive	-	-	included	-	-	12	-	all
1CA400	1CB400	N/A	specify	-	optional	6 rib / 8 rib	-	-	included	-	-	12	-	all
1CA300-PS	1CB300-PS	N/A	specify	-	optional	6 rib Acc Drive	-	-	included	included	-	12	-	all
1CA400-PS	1CB400-PS	N/A	specify	-	optional	6 rib / 8 rib	-	-	included	included	-	12	-	all
1CA300-AC	1CB300-AC	N/A	specify	-	optional	6 rib Acc Drive	-	-	included	-	included	12	-	all
1CA400-4C	1CB400-4C	N/A	specify	-	optional	6 rib / 8 rib	-	-	included	-	included	12	-	all
1CA300-PS-AC	1CB300-PS-AC	N/A	specify	-	optional	6 rib Acc Drive	-	-	included	included	included	12	-	all
1CA400-PS-AC	1CB400-PS-AC	N/A	specify	-	optional	6 rib / 8 rib	-	-	included	included	included	12	-	all
1CA400-P1SC	1CB400-P1SC	N/A	specify	-	optional	6 rib / 8 rib	ProFlow	-	included	included	included	12	-	all
1CA400-P1SC-1	1CB400-P1SC-1	N/A	specify	3"	optional	6 rib / 8 rib	ProFlow	-	included	included	included	12	yes	all
1CA400-P1X	1CB400-P1X	N/A	specify	-	optional	6 rib / 8 rib	ProFlow	-	included	included	included	12	-	all
1CA400-P-1X-I	1CB400-P-1X-I	N/A	specify	3"	optional	6 rib / 8 rib	ProFlow	-	included	included	included	12	yes	all
1CA400-D1SC	1CB400-D1SC	N/A	specify	-	optional	6 rib / 8 rib	ProFlow	-	included	included	included	12	-	all
1CA400-D1SC-I	1CB400-D1SC-I	N/A	specify	3"	optional	6 rib / 8 rib	ProFlow	-	included	included	included	12	yes	all
1CA400-D1X	1CB400-D1X	N/A	specify	-	optional	6 rib / 8 rib	ProFlow	-	included	included	included	12	-	all
1CA400-D1X-I	1CB400-D1X-I	N/A	specify	3"	optional	6 rib / 8 rib	ProFlow	-	included	included	included	12	yes	all
1CA400-F1D/F1A	1CB400-F1D/F1A	N/A	specify	-	optional	6 rib / 8 rib	Race Valve	-	included	included	included	12	-	all
1CA400-F1D-I/F1-I/F1A-I	1CB400-F1D-I/F1-I/F1A-I	N/A	specify	3"	optional	6 rib / 8 rib	Race Valve	-	included	included	included	12	yes	all
1CA400-F1A94/F1C/F1R	1CB400-F1A94/F1C/F1R	N/A	specify	-	optional	6 rib / 8 rib	Race Valve	-	included	included	included	12	-	all
1CA400-F1A94-I/F1C-I/F1R-I	1CB400-F1A94-I/F1C-I/F1R-I	N/A	specify	3.5"	optional	6 rib / 8 rib	Race Valve	-	included	included	included	12	yes	all
1CA400-F1X	1CB400-F1X	N/A	specify	-	optional	6 rib / 10 rib	Race Valve	-	included	included	included	12	-	all
1CA400-F1X-I	1CB400-F1X-I	N/A	specify	3.5"	optional	6 rib / 10 rib	Race Valve	-	included	included	included	12	yes	all
1CA400-F2	1CB400-F2	N/A	specify	-	optional	6 rib / 10 rib	Race Valve	-	included	included	included	12	-	all
1CA400-F2-I	1CB400-F2-I	N/A	specify	3.5"	optional	6 rib / 10 rib	Race Valve	-	included	included	included	12	yes	all



FOR MORE INFORMATION:

SCAN CODE OR VISIT

**PROCHARGER.COM/SBC-BBC-ACCESSORY-DRIVE-KIT**

### SBC/BBC ACCESSORY DRIVE FOOTNOTES (specific to above applications):

- MM1) Uses factory balancer or aftermarket factory replacement
- MM2) Can be ordered without a/c
- MM3) Can be ordered without power steering

### COMPATIBLE GM ACCESSORIES

Description	Part #	Manufacturer/Notes
Power Steering Pump	6175AL	Tuff Stuff (or equivalent), GM Type 2
Alternator	CS130	6.14 center bolt spacing
A/C Compressor	SD-7B10	Sanden, 6-rib
Water Pump, SBC	8815	Edelbrock (or similar), 84-91 reverse rotation
Water Pump, BBC	8854	Edelbrock (or similar), GM Truck



**CONTACT US AT (913) 338-2886 OR LEARN MORE AT PROCHARGER.COM**



	A-1R	B-1	CS-1	C-1	C-2	P600B	P-1SC	P-1SC-1	P-1X	P-1SC-2	D-1	D-1SC	D-1X	F-1D	F-1	F-1A	F-1A-91	F-1A-94
<b>VOLUTE DIAMETER</b>	7"	7"	7"	7"	7"	9"	9"	9"	9"	9"	9"	9"	9"	9"	9"	9"	9"	9"
<b>MAX SUPERCHARGED HP</b>	150	250	550	675	725	775	825	825	950	825	925	925	1075	1050	1050	1100	1200	1300
<b>MOTOR BASE HP RANGE*</b>	50-95	60-150	150-325	150-325	175-375	200-500	200-500	200-450	300-500	200-450	300-500	300-500	300-550	300-500	300-500	300-500	300-500	300-550
<b>MAX FLOW (CFM)</b>	450	600	900	1000	1000	1150	1200	1200	1275	1200	1400	1400	1500	1500	1525	1575	1600	1625
<b>MAX BOOST (PSI)</b>	15	20	24	24	24	24	30	32	32	30	32	32	32	34	38	38	38	38
<b>INLET HOSE DIAMETER</b>	3"	3"	3.5"	3.5"	3.5"	3.75"	3.75"	3.75"	3.75"	3.75"	3.75"	3.75"	3.75"	3.75"	3.75"	3.75"	3.75"	4"
<b>INDUCER DIAMETER</b>	2.28"	2.28"	2.66"	2.75"	3.14"	3.37"	3.37"	3.37"	3.57"	3.24"	3.37"	3.37"	3.57"	3.37"	3.57"	3.5"	3.57"	3.7"
<b>EXDUCER DIAMETER</b>	3.2"	3.2"	3.7"	4.25"	4.25"	6.25"	6.25"	5.25"	5.56"	6"	6.25"	6.25"	6.20"	6.25"	6"	5.56"	5.56"	5.56"
<b>OUTLET HOSE DIAMETER</b>	2"	2"	2.5"	2.5"	2.5"	3"	3"	3"	3"	3"	3"	3"	3"	3"	3"	3"	3"	3"
<b>OUTLET I.D.</b>	1.75"	1.75"	2.12"	2.12"	2.12"	2.62"	2.62"	2.62"	2.62"	2.62"	2.62"	2.62"	2.62"	2.62"	2.62"	2.62"	2.62"	2.62"
<b>MAX IMPELLER RPM</b>	75,000	110,000	80,000	80,000	80,000	60,000	62,000	65,000	65,000	60,000	65,000	62,000	65,000	65,000	70,000	74,000	74,000	74,000
<b>INTERNAL STEP-UP</b>	4.11:1	4.95:1	8.30:1	4.70:1	4.70:1	3.05:1	4.10:1	4.10:1	4.10:1	4.10:1	4.44:1	4.10:1	4.10:1	5.40:1	5.40:1	5.40:1	5.40:1	5.40:1
<b>REVERSE ROTATION OPTION</b>	Yes	Yes	Yes	Yes	Yes	Yes	Yes	Yes	Yes	Yes	Yes	Yes	Yes	Yes	Yes	Yes	Yes	Yes
<b>SELF CONTAINED</b>	Yes	Yes	Yes	Yes	Yes	No	Yes	Yes	Yes	Yes	No	Yes	Yes	Yes	Yes	Yes	Yes	Yes
<b>OIL CAPACITY</b>	2.5 oz	2.5 oz	3.2 oz	2.5 oz	2.5 oz	-	6 oz	6 oz	6 oz	6 oz	-	6 oz	6 oz	4 oz	4 oz	4 oz	4 oz	4 oz

• The stated figures are not absolutes, and may actually be higher depending upon the specific application.

• Figures based on stated peak airflows; actual power levels may be higher in well prepared engines.

• Please refer to [www.procharger.com](http://www.procharger.com) for additional supercharger specifications.

• Engine intake air temperature is the most relevant thermal measure (not SAE J1723) for a supercharger installed on a vehicle, especially when intercooled; SAE J1723 does not address the impact of engine dynamics, engine compartment heat transfer, intercooling or deficiencies caused by supercharger location.

# RACE SUPERCHARGER SPECIFICATIONS

EFFECTIVE DATE 07/07/23

	F-1C	F-1R	F-1X	F-2	F-3D-102	F-3D-106	F-3R-102	F-3R-112*	F-3R-121	F-3R-130	F-3R-136	F-3R-140	F-4X-136	F-4X-140	F-4X-140-1	F-4X-144	F-4X-145
<b>VOLUTE DIAMETER</b>	9.75"	9.75"	10.5"	10.5"	10.5"	10.5"	12"	12"	12"	12"	12"	12"	13.5"	13.5"	13.5"	13.5"	13.5"
<b>MAX SUPERCHARGED HP</b>	1,100	1,250	1,400	1,450	1,500	1,800	1,600	2,100	2,400	2,700	3,000	3,300	3,200	3,500	3,700	4,000	4,200
<b>MOTOR BASE HP RANGE</b>	300-550	375-550	375-550	425-600	550-750	550-750	375-550	CALL	CALL	CALL	CALL	CALL	CALL	CALL	CALL	CALL	CALL
<b>MAX FLOW (CFM)</b>	1,625	1,700	2,000	2,100	1,900	2,200	2,000	2,300	3,100	3,600	4,000	4,300	4,200	4,500	4,700	5,000	5,200
<b>MAX BOOST (PSI)</b>	38	38	38	38	38	38	38	38	40	45	50	58	55	60	65	70	72
<b>INLET HOSE DIAMETER</b>	4"	4.05"	4.8"	4.6"	4.8"	4.8"	6"	5"	5.5"	5.75"	5.75"	5.75"	6"	6"	6"	6"	6"
<b>INDUCER DIAMETER</b>	3.7"	4"	4.20"	4.5"	4"	4.2"	4"	4.4"	4.8"	5.12"	5.23"	5.37"	5.35"	5.37"	5.51"	5.63"	5.71"
<b>EXDUCER DIAMETER</b>	5.56"	6"	6"	6.75"	6"	6"	6.75"	6.75"	6.75"	7.22"	7.22"	7.22"	7.22"	7.22"	7.42"	7.91"	7.69"
<b>OUTLET HOSE DIAMETER</b>	3"	3"	3.5"	3.5"	3.5"	3.5"	4.5"	4"	4"	4"	4"	4"	4.5"	4.5"	4.5"	4.5"	4.5"
<b>OUTLET I.D.</b>	2.62"	2.62"	3.15"	3.15"	3.15"	3.15"	3.59"	3.59"	3.59"	3.59"	3.59"	3.59"	4"	4"	4"	4"	4"
<b>MAX IMPELLER RPM</b>	74,000	68,000	72,000	65,000	74,000	74,000	72,000	72,000	72,000	72,000	72,000	72,000	72,000	72,000	72,000	72,000	72,000
<b>INTERNAL STEP-UP</b>	5.40:1	5.40:1	5.40:1	5.40:1	5.63:1	5.63:1	5.63:1	5.63:1	5.63:1	5.63:1	5.63:1	5.63:1	4.77:1	4.77:1	4.77:1	4.77:1	4.77:1
<b>REVERSE ROTATION OPTION</b>	Yes	Yes	Yes	Yes	Yes	Yes	Yes	Yes	Yes	Yes	Yes	No	No	No	No	No	No
<b>SELF CONTAINED</b>	Yes	Yes	Yes	Yes	Yes	Yes	Yes	Yes	Yes	Yes	Yes	Yes	Yes	Yes	Yes	Yes	Yes
<b>OIL CAPACITY</b>	4 oz	4 oz	4 oz	4 oz	6 oz Race Oil	6 oz Race Oil	6 oz Race Oil	6 oz Race Oil	6 oz Race Oil	6 oz Race Oil	6 oz Race Oil	6 oz Race Oil	6 oz Race Oil	6 oz Race Oil	6 oz Race Oil	6 oz Race Oil	6 oz Race Oil

\*Formally F-1X-12

F-1/F-2 superchargers are rated based upon high horsepower street engines. F-3 superchargers are rated based upon maximum effort race engines.

The stated figures are not absolutes, and may actually be higher depending upon the specific application.

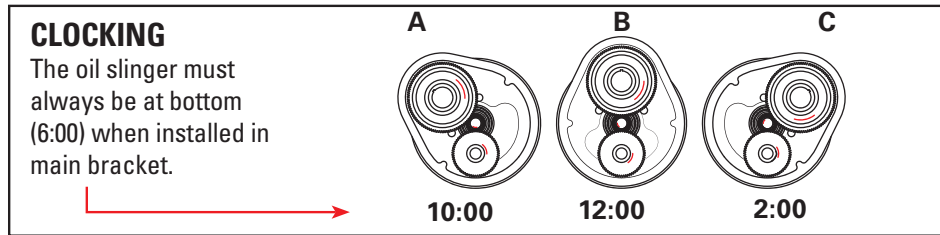
Please refer to [www.procharger.com](http://www.procharger.com) for additional supercharger specifications.

Figures based on stated peak airflows; actual power levels may be higher in well prepared engines.

Engine intake air temperature is the most relevant thermal measure (not SAE J1723) for a supercharger installed on a vehicle, especially when intercooled; SAE J1723 does not address the impact of engine dynamics, engine compartment heat transfer, intercooling or deficiencies caused by supercharger location.



Supercharger Clocking and Rotation is determined with impeller facing away from you. Visit [PROCHARGER.COM](http://PROCHARGER.COM) for more info on clocking and rotation.



FORD AUTO	Clocking	Rotation
2015-23 Mustang GT, CS, Mach 1, Bullitt (5.0 4V)	10:00	R
2015-20 GT350 and GT350R (5.2 4V)	10:00	R
2015-17 Mustang V6 (3.7)	2:00	R
2011-14 Mustang GT (5.0 4V Shared Drive)	10:00	R
2011-14 Mustang GT (5.0 4V)	10:00	S
2011-14 Mustang V6 (3.7)	2:00	R
2012-13 Boss 302 Mustang (Shared Drive)	10:00	R
2012-13 Boss 302 Mustang	10:00	S
2005-10 Mustang GT (4.6 3V Shared Drive)	12:00	R
2005-10 Mustang GT (4.6 3V)	2:00	S
2005-10 3V Cog Race Kits	2:00	S
2005-10 Mustang V6 (4.0)	10:00	R
1999-04 Mustang GT and Bullitt (4.6 2V)	10:00	R
2003-04 Mustang Mach 1 (4.6 4V)	10:00	R
1996-98 Mustang GT (4.6 2V)	10:00	R
1994-04 Mustang V6 (3.8, 3.9)	10:00	R
2003-04 Cobra (4.6 4V) Serpentine	10:00	R
2003-04 Cobra (4.6 4V) Cog	2:00	R
1999-01 Cobra (4.6 4V)	10:00	R
1996-98 Cobra (4.6 4V)	10:00	R
1996-98 Cobra (4.6 4V) Serpentine Race Kit	10:00	R
1996-98 Cobra (4.6 4V) Cog Race Kit	2:00	R
1994-95 Mustang and Cobra (5.0)	12:00	S
1986-93 Mustang and Cobra (5.0)	2:00	S
1964, 5-66 Mustang (289, 302, 351 V8)	2:00	S
Carb/Aftermarket EFI Serpentine Kits	2:00	S
Carb/Aftermarket EFI Cog Race Kits	2:00	R or S
Coyote Swap (5.0 4V) Kits	10:00	S
Godzilla Swap (7.3) Kits	12:00	R

CHEVROLET CORVETTE	Clocking	Rotation
2020-23 Corvette C8 (LT2)	2:00	S
2014-19 Corvette C7 (LT1)	10:00	R
2015-19 Corvette C7 Z06 (LT4)	10:00	R
2006-13 Corvette C6 and Z06 (LS3, LS7)	2:00	R
2005-07 Corvette C6 (LS2)	2:00	R
1997-04 Corvette C5, Z06 (LS1, LS6)	2:00	R
1992-96 Corvette C4 (LT1, LT4)	2:00	R
1985-91 Corvette C4 TPI (L98)	12:00	S

GM AUTO	Clocking	Rotation
2016-19 Cadillac CTS-V (LT4)	2:00	S
2016-23 Camaro SS (LT1 Shared Drive)	2:00	R
2016-23 Camaro SS (LT1) and ZL1 (LT4)	2:00	S
2016-21 Camaro V6 (3.6)	2:00	R
2014-15 Camaro Z/28 (LS7)	10:00	S
2010-15 Camaro SS (LS3, L99) / Cog Race Kits	2:00	S
1998-02 Camaro/Firebird (LS1)	10:00	R
1993-97 Camaro/Firebird (LT1)	12:00	S
1987-92 Camaro/Firebird TPI (L98)	2:00	S
2014-17 Chevrolet SS	10:00	S
2008-09 Pontiac G8 GT and 2004-06 GTO	10:00	S
Carb/Aftermarket EFI Serpentine/Cog Kits	specify	specify
Carb/Aftermarket EFI Reverse Cog Race Kits	2:00	R
LS Swap Serpentine Kits	2:00	S
LS Swap Cog Race Kits	10:00	S
LT1/LT4 Swap Serpentine Kits (2014-17)	2:00	S

DODGE/CHRYSLER AUTO	Clocking	Rotation
2008-23 Challenger (5.7, 6.1, 6.4)	2:00	S
2011-14 Challenger Stage II (6.4)	10:00	S
2011-22 Challenger V6 (3.6)	10:00	S
2008-10 Challenger SRT8 Stage II (6.1)	2:00	R
2006-23 Charger (5.7, 6.1, 6.4)	2:00	S
2006-10 Charger Stage II (5.7, 6.1)	2:00	R
2005-18 Chrysler 300/Dodge Magnum	2:00	S
HEMI Reverse Cog Race Kits	10:00	R

GM TRUCK/SUV	Clocking	Rotation
2014-23 GM Truck/SUV HO & Stage II (5.3, 6.2)	2:00	S
2015-19 GM Truck/SUV 2500 (6.0)	12:00	R
2014-18 GM Truck/SUV Stage II (5.3, 6.2)	10:00	S
2007-13 GM Truck/SUV (5.3, 6.0, 6.2, 4.8)	12:00	S
2003-07 GM Truck/SUV (5.3, 6.0, 4.8)	12:00	S
2003-09 Hummer H2 (6.2, 6.0)	12:00	S
1999-03 GM Truck/SUV (5.3, 6.0, 4.8)	12:00	S
1999-07 GM 2500 Truck (6.0)	12:00	S
1996-00 GM Truck/SUV (5.7)	2:00	S
1996-00 GM Truck/SUV (7.4)	10:00	S
1988-95 GM TBI Truck/SUV (5.7, 7.4)	2:00	S

FORD TRUCK/SUV	Clocking	Rotation
2020-22 F-250/350 Super Duty	10:00	S
2015-23 F-150 (5.0 4V)	10:00	S
2011-14 F-150 (5.0, 6.2 4V)	10:00	S
2010-14 SVT Raptor HO (6.2, 5.4 3V)	2:00	R
2010-14 SVT Raptor Stage II (6.2, 5.4 3V)	10:00	S
2004-10 F-150 (5.4 3V)	2:00	R
2007-14 Expedition (5.4 3V)	2:00	R
1997-03 F-150/Expedition (5.4, 4.6 2V)	10:00	S

DODGE/RAM TRUCK/SUV	Clocking	Rotation
2018-21 Durango SRT (6.4)	2:00	S
2014-21 Ram 2500/3500 & Power Wagon (6.4)	10:00	R
2019-22 Ram eTorque (5.7)	10:00	S
2019-22 Ram (5.7)	10:00	S
2009-20 Ram (5.7)	10:00	S
2004-08 Dodge Ram (5.7)	2:00	S
1996-01 Dodge Ram (5.9, 5.2)	12:00	S
1997-01 Dodge Dakota/Durango (5.9, 5.2)	10:00	S

JEEP	Clocking	Rotation
2012-20 Grand Cherokee SRT (6.4)	2:00	S
2011-20 Grand Cherokee (5.7)	2:00	S
2006-10 Grand Cherokee SRT8 HO (6.1)	2:00	R
2006-10 Grand Cherokee SRT8 Stage II (6.1)	10:00	S
2012-22 Wrangler JL - JK 2012-18 (3.6)	12:00	R
2020-22 Gladiator JT (3.6)	12:00	R

TOYOTA	Clocking	Rotation
2010-19 4Runner (4.0)	2:00	R
2016-23 Tacoma (3.5)	2:00	R
2005-15 Tacoma (4.0)	10:00	S

SPORT COMPACT / SLINGSHOT	Clocking	Rotation
2015-19 Polaris Slingshot	2:00	S
2003-06 Nissan 350Z (3.5)	2:00	R
2003-04 Infiniti G35 Coupe and FX35 (3.5)	10:00	R
1999-00 Honda Civic Si (1.6)	2:00	S
1994-01 Acura Integra GSR/Type R (1.8)	2:00	S
2000-03 Ford Focus (ZETEC) / 2002-04 Focus (SVT)	2:00	R

# SUPERCHARGERS

## SUPERCHARGERS

Part Number	Description	Price
PC065A-xxx	A-1R ProCharger (satin)	\$2,698
PC064A-xxx	B-1 ProCharger (satin)	\$2,698
PC061A-xxx	C-1 ProCharger (satin)	\$2,998
PC061A-xxx	C-1R ProCharger (satin)	\$3,398
PC061A-xxx	C-1R-72 ProCharger (satin)	\$3,598
PC062A-xxx	C-2 ProCharger (satin)	\$3,398
PC061A-xxx	CS-1 ProCharger (satin)	\$3,498
PC010A-xxx	P600B ProCharger (satin)	\$3,098
PC050A-xxx	P-1SC ProCharger (satin)	\$3,378
PC050A-xxx	P-1SC-1 ProCharger (satin)	\$3,598
PC053A-xxx	P-1X ProCharger (satin)	\$3,848
PC041A-xxx	D-1 ProCharger (satin)	\$3,798
PC051A-xxx	D-1SC ProCharger (satin)	\$3,873
PC054A-xxx	D-1X ProCharger (satin)	\$4,073
PC323A-xxx	F-1D ProCharger (satin)	\$4,473
PC324A-xxx	F-1 ProCharger (satin)	\$4,473
PC325A-xxx	F-1A ProCharger (satin)	\$4,473
PC335A-xxx	F-1A-91 ProCharger (satin)	\$4,823
PC336A-xxx	F-1A-94 ProCharger (satin)	\$4,823
PC327A-xxx	F-1C ProCharger (satin)	\$4,823
PC326A-xxx	F-1R ProCharger (satin)	\$4,823
PC330A-xxx	F-1X ProCharger (satin)	\$6,088
PC328A-xxx	F-2 ProCharger (satin)	\$6,288
PC314A-102	F-3D-102 ProCharger (satin)	\$6,998
PC314A-106	F-3D-106 ProCharger (satin)	\$6,998
PC314A-102R	F-3R-102 ProCharger (satin) with splined input shaft and threaded volute	\$8,134
PC314A-112R	F-3R-112 (F-1X-12) ProCharger (satin)	\$7,438
PC314A-121R	F-3R-121 ProCharger (satin)	\$7,738
PC314A-130	F-3R-130 ProCharger (satin)	\$7,998
PC314A-136	F-3R-136 ProCharger (satin)	\$8,398
PC314A-140-C-SP-T	F-3R-140 ProCharger (satin) with splined input shaft and threaded volute	\$10,298
PC318A-136-C-SP-T	F-4X-136 ProCharger (satin) with splined input shaft and threaded volute	\$10,898
PC318A-140-C-SP-T	F-4X-140 ProCharger (satin) with splined input shaft and threaded volute	\$12,998
PC318A-141-C-SP-T	F-4X-140-1 ProCharger (satin) with splined input shaft and threaded volute	\$14,998
PC318A-144-C-SP-T	F-4X-144 ProCharger (satin) with splined input shaft and threaded volute	\$16,998
PC318A-145-C-SP-T	F-4X-145 ProCharger (satin) with splined input shaft and threaded volute	\$17,998
CALL	F-3R Threaded Volute w/ V-Band Clamp (new head unit builds)	\$249
CALL	F-3R Threaded Volute w/ Dual Seal Flange (new head unit builds)	\$249
CALL	F-3D/F-3R Splined Input Shaft Option (new head unit builds)	\$179
PC016A-001	Polished or Black Finish of (A, B, C, P, D, F-series) 7" or 9" Models (at time of purchase)	\$375
PC016A-002	Polished or Black Finish of (F-1C, F-1R) 9.75" Models (at time of purchase)	\$425
PC016A-003	Polished or Black Finish of (F-3D-, F-1X, F-2) 10.5" Models (at time of purchase)	\$525
PC016A-004	Polished or Black Finish of (F-3R-) 12" Models (at time of purchase)	\$635



**SUPERCHARGER UPGRADES**

Part Number	Description	Price
Call	P-1SC-1 to P-1X Upgrade (currently owned, satin finish)	\$1,698
Call	P-1SC to D-1SC Upgrade (currently owned, satin finish)	\$1,598
Call	P-1SC-1 to D-1SC Upgrade (currently owned, satin finish)	\$1,698
Call	P-1SC to D-1X Upgrade (currently owned, satin finish)	\$1,698
Call	P-1SC-1 to D-1X Upgrade (currently owned, satin finish)	\$1,998
Call	P-1X to D-1X Upgrade (currently owned, satin finish)	\$1,998
Call	D-1SC to D-1X Upgrade (currently owned, satin finish)	\$1,698
Call	F-1 to F-1A Upgrade (currently owned, satin finish)	\$2,829
Call	F-1A to F-1A-91 Upgrade (currently owned, satin finish)	\$2,276
Call	F-1A to F-1A-94 Upgrade (currently owned, satin finish)	\$2,276
Call	F-1A to F-1R Upgrade (currently owned, satin finish)	\$2,520
Call	F-1R to F-1X Upgrade (currently owned, satin finish)	\$4,120
Call	F-1A to F-1X Upgrade (currently owned, satin finish)	\$4,120
Call	F-3D/F-3R Splined Input Shaft Upgrade (currently owned)	\$615
Call	F-3R-130 to F-3R-136 Upgrade (currently owned, satin finish)	\$2,911
Call	F-3R-112 to F-3R-121 Upgrade (currently owned, satin finish)	\$2,911
Call	F-3R-112/121 to F-3R-136 Upgrade (currently owned, satin finish)	\$3,695
Call	F-4X-140 to F-4X-140-1 Upgrade (currently owned, satin finish)	\$4,462
Call	Additional Charge for SC Upgrade if Polished or Black (9" housing)	\$118
Call	Additional Charge for SC Upgrade if Polished or Black (9.75" housing)	\$168
Call	Additional Charge for SC Upgrade if Polished or Black (10.5" housing)	\$278
Call	Additional Charge for SC Upgrade if Polished or Black (12" housing)	\$388

**DUAL SEAL ASSEMBLY FOR F-3/F-4**

Part Number	Description	Price
AV002I-050	5" Discharge Dual Seal Kit - RPS Procharger Logo	\$190
AV002I-051	4" Discharge Dual Seal Kit - RPS Procharger Logo	\$175

**RACE GEARBOX VENTS**

Part Number	Description	Price
3FATT-006	F-3 Gearbox Vent Bag	\$55
3FATT-007	F-4 Gearbox Vent Bag	\$98

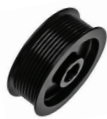
**SUPERCHARGER OIL**

Part Number	Description	Price
ME001A-001	Supercharger Oil Bottle (6 oz)	\$19
ME001A-002	Supercharger Oil Bottle (2.5 oz)	\$16
ME001A-003	i-1 Oil Bottle (3.2 oz)	\$16
ME001A-004	Supercharger Oil Bottle (4 oz)	\$18
ME001A-008	Supercharger Oil Bottle (8 oz)	\$22
ME001A-050	Gear Oil Bottle (4 oz)	\$16
ME001A-060	Race Blower Oil Bottle (6 oz)	\$26
ME001G-001	Supercharger Oil Pack (3 Bottles 6 oz each)	\$49
ME001G-002	Supercharger Oil Pack (4 Bottles 2.5 oz each)	\$46
ME001G-003	i-1 Oil Pack (3 Bottles 3.2 oz each)	\$43
ME001G-004	Supercharger Oil Pack (3 Bottles 4 oz each)	\$46
ME001G-009	Supercharger Oil Box (12 Bottles 6 oz each)	\$169
ME001G-050	Gear Oil Pack (4 Bottles 4 oz each)	\$60
ME001G-060	Race Blower Oil Pack (3 Bottles 6 oz each)	\$55
ME001G-061	Race Blower Oil Pack (12 Bottles 6 oz each)	\$215

**OIL RELATED HARDWARE**

Part Number	Description	Price
PDC04A-001	P-/D-Series, Self-Contained Dipstick 7.13" Long	\$26
PDC04A-002	P-/D-Series, Self-Contained Dipstick 9.5" Long	\$26
PDC04A-003	F-1 Dipstick 8.0" Long	\$25
PDC04A-005	F-3 Dipstick 5.625" Long	\$25
PDC04A-006	C-1/C-2 Dipstick 6.0" Long	\$25
PDC04A-010	B-1 Dipstick 5.0" Long	\$25
PDC04A-011	A-1 Dipstick 2.5" Long	\$25
PDC04A-015	F-3-RD Dipstick 1.75" Long	\$23
PDC04I-041	Supercharger Dipstick Nylon Washer	\$1.75
PC000C-258	O-Ring (Supercharger Drain Plug Replacement)	\$2.00
PDC04I-045	Supercharger Auxiliary Dipstick Plug	\$4.00
3PCOL-002	Supercharger Oil Drain Line Kit	\$79
3PCOL-004	Supercharger Oil Drain Line Kit w/ 90-Degree Fitting	\$79
MS004A-001	ProCharger Supercharger Oil Removal Syringe	\$25



**NON-OFFSET**

Standard pulleys come with shoulders on both sides, and a hub that is also flush with the shoulders.

**OFFSET**

The hub on an offset pulley extends past one shoulder, to position the belt farther away from the supercharger.

**SINGLE-SHOULDER**

These pulleys have a shoulder on only one side of the pulley to accommodate tighter fitment.

**COG**

Cog pulleys have "teeth" instead of ribs. Used for a variety of vehicles and hp levels, typically for racing/off-road.

FORD AUTO	Pulley	Ribs
2015-23 Mustang GT (5.0 4V Shared Drive)	Single Shoulder	6
2015-23 Mustang GT HO (5.0 4V)	Non-Offset	6
2015-23 Mustang GT Stage II (5.0 4V)	Non-Offset	8
2015-20 GT350/GT350R (5.2 4V)	Non-Offset	8
2015-17 Mustang V6 (3.7)	Non-Offset	6
2011-14 Mustang GT (5.0 4V Shared Drive)	Non-Offset	6
2011-14 Mustang GT HO/Stage II (5.0 4V)	Non-Offset	8
2011-14 Mustang GT Cog Race (5.0 4V)	Cog	-
2011-14 Mustang V6 (3.7)	Non-Offset	6
2012-13 Boss 302 Mustang (Shared Drive)	Non-Offset	6
2012-13 Boss 302 Mustang Stage II	Non-Offset	8
2012-13 Boss 302 Mustang Cog Race	Cog	-
2005-10 Mustang GT (4.6 3V Shared Drive)	Offset	6
2005-10 Mustang GT HO/Stage II (4.6 3V)	Non-Offset	8
2005-10 Mustang GT Race (4.6 3V)	Non-Offset	12
2005-10 3V Cog Race KITS	Cog	-
2005-10 Mustang V6 (4.0)	Non-Offset	6
1999-04 Mustang GT/2001 Bullitt (4.6 2V)	Non-Offset	6
2003-04 Mustang Mach 1 (4.6 4V)	Single Shoulder	6
1996-98 Mustang GT (4.6 2V) SYSTEMS	Non-Offset	6
1994-04 Mustang V6 (3.8, 3.9)	Single Shoulder	6
2003-04 Cobra HO/Stage II (4.6 4V)	Non-Offset	6
2003-04 Cobra Cog Race (4.6 4V)	Cog	-
1996-01 Cobra (4.6 4V)	Single Shoulder	6
1996-98 Cobra Serpentine Race (4.6 4V)	Non-Offset	8
1996-98 Cobra Cog Race (4.6 4V)	Cog	-
1994-95 Mustang/Cobra (5.0)	Offset	6
1986-93 Mustang/Cobra (5.0) (no A/C, A/C)	Offset, Non-Offset	8 or 12
1964-5-66 Mustang (289, 302, 351 V8)	Offset	8
Carb/Aftermarket EFI Serpentine Kits	Non-Offset or Offset	8 or 12
Carb/Aftermarket EFI Cog Race Kits	Cog	-
Coyote Engine Swap HO (5.0 4V)	Non-Offset	8
Coyote Engine Swap Cog Race (5.0 4V)	Cog	-
Godzilla Engine Swap (7.3)	Non-Offset	8

CHEVROLET CORVETTE	Pulley	Ribs
2020-23 Corvette C8 (LT2)	Cog	-
2014-19 Corvette C7 (LT1)	Offset	8 or 10
2015-19 Corvette C7 Z06 (LT4)	Offset	8 or 10
2005-13 Corvette C6 HO/Stage II	Non-Offset	6
2005-13 Corvette C6 Race	Non-Offset	10
1997-04 Corvette C5, Z06 Stage II (LS1, LS6)	Non-Offset	6
1997-04 Corvette C5, Z06 Race (LS1, LS6)	Non-Offset	8
1985-96 Corvette C4 (LT1, LT4, L98)	Non-Offset	6

GM AUTO	Pulley	Ribs
2016-19 Cadillac CTS-V (LT4)	Non-Offset	8 or 10
2016-23 Camaro SS (LT1) and ZL1 (LT4)	Non-Offset	8 or 10
2016-21 Camaro V6 (3.6)	Non-Offset	6
2014-15 Camaro Z/28 (LS7)	Non-Offset	8
2010-15 Camaro SS HO (LS3, L99)	Non-Offset	8
2010-15 Camaro SS Stage II (LS3, L99)	Non-Offset	8 or 12
2010-15 Camaro SS Cog Race	Cog	-
1998-02 Camaro/Firebird HO (LS1)	Non-Offset	6 or 8
1998-02 Camaro/Firebird Race (LS1)	Non-Offset	8 or 10
1993-97 Camaro/Firebird HO (LT1)	Offset	8
1993-97 Camaro/Firebird Race (LT1)	Offset	12
1987-92 Camaro/Firebird TPI (L98)	Non-Offset or Offset	8
2014-17 Chevrolet SS / 08-09 G8 GT/04-06 GTO	Non-Offset	8
Carb/Aftermarket EFI Serpentine Kits	Offset	8 or 12
Carb/Aftermarket EFI Cog Race Kits	Cog	-
LS Engine Swap Serpentine Kits	Offset	8
LS Engine Swap Cog Race Kits	Cog	-
LT1/LT4 Engine Swap Serpentine (2014-17)	Non-Offset	8

DODGE/CHRYSLER AUTO	Pulley	Ribs
2008-23 Challenger HO (5.7, 6.1, 6.4)	Non-Offset	6
2008-23 Challenger Stage II (6.1, 6.4)	Non-Offset	8
2011-22 Challenger V6 (3.6)	Non-Offset	6
2006-23 Charger HO (5.7, 6.1, 6.4)	Non-Offset	6
2006-23 Charger Stage II (5.7, 6.1, 6.4)	Non-Offset	8
2005-22 Chrysler 300 (5.7, 6.1, 6.4)	Non-Offset	6
2005-08 Magnum (5.7, 6.1)	Non-Offset	6
Reverse Cog Race Kits	Cog	-

GM TRUCK/SUV	Pulley	Ribs
2019-23 Truck/SUV 1500 HO/Stage II (5.3, 6.2)	Non-Offset	8
2014-18 Truck/SUV 1500/2500 (5.3, 6.0, 6.2)	Non-Offset	6
2014-18 Truck/SUV 1500 Stage II (5.3, 6.2)	Non-Offset	8
2007-13 Truck/SUV HO (5.3, 6.0, 6.2, 4.8)	Non-Offset	6
2007-13 Truck/SUV Stage II (5.3, 6.0, 6.2, 4.8)	Non-Offset	8
2003-07 Truck/SUV HO (5.3, 6.0, 4.8)	Non-Offset	6
2003-07 Truck/SUV Stage II (5.3, 6.0, 4.8)	Non-Offset	8
2003-09 Hummer H2 (6.2, 6.0)	Non-Offset	6
1999-03 Truck/SUV HO (5.3, 6.0, 4.8)	Non-Offset	6
1999-03 Truck/SUV Stage II (5.3, 6.0, 4.8)	Non-Offset	8
1999-07 GM 2500 Truck (6.0)	Non-Offset	6
1996-00 Truck/SUV (5.7)	Non-Offset	6
1996-00 Truck/SUV (7.4)	Offset	6
1988-95 TBI Truck/SUV (5.7, 7.4)	Offset	6

FORD TRUCK/SUV	Pulley	Ribs
2020-22 F-250/350 Super Duty (7.3)	Offset	6
2011-23 F-150 (5.0 4V)	Non-Offset	8
2011-14 F-150 (6.2 4V)	Non-Offset	6
2010-14 SVT Raptor HO (6.2 3V)	Offset	6
2010-14 SVT Raptor Stage II (6.2 3V)	Non-Offset	8
2010-14 SVT Raptor HO (5.4 3V)	Non-Offset	6
2004-10 F-150 (5.4 3V)	Non-Offset	6
2007-14 Expedition (5.4 3V)	Non-Offset	6
1997-03 F-150/Expedition (5.4, 4.6 2V)	Non-Offset	6

DODGE/RAM TRUCK/SUV	Pulley	Ribs
2018-21 Durango SRT (6.4)	Non-Offset	6
2019-22 Ram HO (5.7)	Offset	6
2019-22 Ram Stage II (5.7)	Non-Offset	8
2019-22 Ram eTorque	Non-Offset	8
2011-21 Ram HO (5.7)	Offset	6
2011-21 Ram Stage II (5.7)	Non-Offset	8
2014-21 Ram HO (6.4)	Non-Offset	6
2009-10 Ram HO (5.7)	Offset	6
2009-10 Ram Stage II (5.7)	Non-Offset	8
2004-08 Ram (5.7)	HEMI Offset	7
1996-01 Ram (5.9, 5.2) / 97-01 Dakota/Durango (5.9, 5.2)	7-rib Offset	7

JEEP	Pulley	Ribs
2012-20 Grand Cherokee SRT (6.4)	Non-Offset	6
2011-20 Grand Cherokee (5.7)	Non-Offset	6
2006-10 Grand Cherokee SRT8 HO (6.1)	Non-Offset	6
2006-10 Grand Cherokee SRT8 Stage II (6.1)	Non-Offset	8
2020-22 Gladiator JT (3.6)	Non-Offset	6
2018-22 Wrangler JL (3.6)	Non-Offset	6
2012-18 Wrangler JK (3.6)	Non-Offset	6

TOYOTA	Pulley	Ribs
2010-19 4Runner (4.0)	Non-Offset	6
2016-23 Tacoma (3.5)	Non-Offset	6
2005-15 Tacoma (4.0)	Non-Offset	6

SPORT COMPACT / SLINGSHOT	Pulley	Ribs
2015-19 Polaris Slingshot	Offset	6
2003-06 Nissan 350Z (3.5)	Cog	-
2003-04 Infiniti G35 Coupe/FX35 (3.5)	Cog	-
1999-00 Honda Civic Si (1.6 DOHC)	Civic	4
1994-01 Acura Integra GSR/Type R (1.8 DOHC)	Civic	4
2000-04 Ford Focus (ZETEC, SVT)	P600B	6

# NON-OFFSET PULLEYS

## FOR SELF-CONTAINED SUPERCHARGERS

### 6-RIB SERPENTINE PULLEYS .877 SHAFT (NON-OFFSET)

Part Number	Description	Price
DP300I-06D	3.00" - 6 Rib Pulley	\$119
DP310I-06D	3.10" - 6 Rib Pulley	\$119
DP320I-06D	3.20" - 6 Rib Pulley	\$119
DP340I-06D	3.40" - 6 Rib Pulley	\$119
DP350I-06D	3.50" - 6 Rib Pulley	\$119
DP360I-06D	3.60" - 6 Rib Pulley	\$119
DP370I-06D	3.70" - 6 Rib Pulley	\$119
DP385I-06D	3.85" - 6 Rib Pulley	\$119
DP400I-06D	4.00" - 6 Rib Pulley	\$119
DP410I-06D	4.10" - 6 Rib Pulley	\$119
DP425I-06D	4.25" - 6 Rib Pulley	\$119
DP438I-06D	4.38" - 6 Rib Pulley	\$119
DP450I-06D	4.50" - 6 Rib Pulley	\$119
DP463I-06D	4.625" - 6 Rib Pulley	\$119
DP475I-06D	4.75" - 6 Rib Pulley	\$119
DP500I-06D	5.00" - 6 Rib Pulley	\$119

### 6-RIB SERPENTINE PULLEYS .877 SHAFT (NON-OFFSET SINGLE SHOULDER)

Part Number	Description	Price
DP295I-6SSD	2.95" - 6 Rib Pulley	\$119
DP340I-6SSD	3.40" - 6 Rib Pulley	\$119
DP360I-6SSD	3.60" - 6 Rib Pulley	\$119
DP370I-6SSD	3.70" - 6 Rib Pulley	\$119
DP380I-6SSD	3.80" - 6 Rib Pulley	\$119
DP390I-6SSD	3.90" - 6 Rib Pulley	\$119
DP400I-6SSD	4.00" - 6 Rib Pulley	\$119
DP415I-6SSD	4.15" - 6 Rib Pulley	\$119

### 8-RIB SERPENTINE PULLEYS .877 SHAFT (NON-OFFSET)

Part Number	Description	Price
DP340I-08D	3.40" - 8 Rib Pulley	\$134
DP355I-08D	3.55" - 8 Rib Pulley	\$134
DP370I-08D	3.70" - 8 Rib Pulley	\$134
DP385I-08D	3.85" - 8 Rib Pulley	\$134
DP390I-08D	3.90" - 8 Rib Pulley	\$134
DP400I-08D	4.00" - 8 Rib Pulley	\$134
DP413I-08D	4.13" - 8 Rib Pulley	\$134
DP425I-08D	4.25" - 8 Rib Pulley	\$134
DP438I-08D	4.38" - 8 Rib Pulley	\$134
DP450I-08D	4.50" - 8 Rib Pulley	\$134
DP463I-08D	4.63" - 8 Rib Pulley	\$134
DP475I-08D	4.75" - 8 Rib Pulley	\$134
DP488I-08D	4.88" - 8 Rib Pulley	\$134
DP500I-08D	5.00" - 8 Rib Pulley	\$134
DP525I-08D	5.25" - 8 Rib Pulley	\$134

### 10-RIB SERPENTINE PULLEYS .877 SHAFT (NON-OFFSET)

Part Number	Description	Price
DP340I-10D	3.40" - 10 Rib Pulley	\$142
DP355I-10D	3.55" - 10 Rib Pulley	\$142
DP370I-10D	3.70" - 10 Rib Pulley	\$142
DP385I-10D	3.85" - 10 Rib Pulley	\$142
DP390I-10D	3.90" - 10 Rib Pulley	\$142
DP400I-10D	4.00" - 10 Rib Pulley	\$142
DP413I-10D	4.13" - 10 Rib Pulley	\$142
DP425I-10D	4.25" - 10 Rib Pulley	\$142
DP438I-10D	4.38" - 10 Rib Pulley	\$142
DP450I-10D	4.50" - 10 Rib Pulley	\$142
DP463I-10D	4.63" - 10 Rib Pulley	\$142
DP475I-10D	4.75" - 10 Rib Pulley	\$142
DP488I-10D	4.88" - 10 Rib Pulley	\$142
DP500I-10D	5.00" - 10 Rib Pulley	\$142
DP525I-10D	5.25" - 10 Rib Pulley	\$142

### 12-RIB SERPENTINE PULLEYS .877 SHAFT (NON-OFFSET)

Part Number	Description	Price
DP310I-12D	3.10" - 12 Rib Pulley	\$155
DP325I-12D	3.25" - 12 Rib Pulley	\$155
DP340I-12D	3.40" - 12 Rib Pulley	\$155
DP355I-12D	3.55" - 12 Rib Pulley	\$155
DP370I-12D	3.70" - 12 Rib Pulley	\$155
DP385I-12D	3.85" - 12 Rib Pulley	\$155
DP400I-12D	4.00" - 12 Rib Pulley	\$155
DP425I-12D	4.25" - 12 Rib Pulley	\$155
DP450I-12D	4.50" - 12 Rib Pulley	\$155
DP475I-12D	4.75" - 12 Rib Pulley	\$155
DP488I-12D	4.875" - 12 Rib Pulley	\$155
DP500I-12D	5.00" - 12 Rib Pulley	\$155
DP525I-12D	5.25" - 12 Rib Pulley	\$155
DP550I-12D	5.50" - 12 Rib Pulley	\$155
DP575I-12D	5.75" - 12 Rib Pulley	\$155



8 RIB NON-OFFSET PULLEY



10 RIB NON-OFFSET PULLEY

## FOR SELF-CONTAINED SUPERCHARGERS

**6-RIB SERPENTINE PULLEYS .877 SHAFT (OFFSET)**

Part Number	Description	Price
DP275I-6SC	2.75" - 6 Rib Pulley	\$119
DP305I-6SC	3.05" - 6 Rib Pulley	\$119
DP315I-6SC	3.15" - 6 Rib Pulley	\$119
DP335I-6SC	3.35" - 6 Rib Pulley	\$119
DP355I-6SC	3.55" - 6 Rib Pulley	\$119
DP360I-6SC	3.60" - 6 Rib Pulley	\$119
DP370I-6SC	3.70" - 6 Rib Pulley	\$119
DP385I-6SC	3.85" - 6 Rib Pulley	\$119
DP400I-6SC	4.00" - 6 Rib Pulley	\$119
DP413I-6SC	4.13" - 6 Rib Pulley	\$119
DP425I-6SC	4.25" - 6 Rib Pulley	\$119
DP438I-6SC	4.38" - 6 Rib Pulley	\$119
DP450I-6SC	4.50" - 6 Rib Pulley	\$119
DP463I-6SC	4.63" - 6 Rib Pulley	\$119
DP488I-6SC	4.88" - 6 Rib Pulley	\$119
DP500I-6SC	5.00" - 6 Rib Pulley	\$119

**8-RIB SERPENTINE PULLEYS .877 SHAFT (OFFSET)**

Part Number	Description	Price
DP340I-8SC	3.40" - 8 Rib Pulley	\$134
DP355I-8SC	3.55" - 8 Rib Pulley	\$134
DP370I-8SC	3.70" - 8 Rib Pulley	\$134
DP385I-8SC	3.85" - 8 Rib Pulley	\$134
DP400I-8SC	4.00" - 8 Rib Pulley	\$134
DP413I-8SC	4.13" - 8 Rib Pulley	\$134
DP425I-8SC	4.25" - 8 Rib Pulley	\$134
DP438I-8SC	4.38" - 8 Rib Pulley	\$134
DP450I-8SC	4.50" - 8 Rib Pulley	\$134
DP475I-8SC	4.75" - 8 Rib Pulley	\$134
DP500I-8SC	5.00" - 8 Rib Pulley	\$134
DP525I-8SC	5.25" - 8 Rib Pulley	\$134
DP550I-8SC	5.50" - 8 Rib Pulley	\$134

**10-RIB SERPENTINE PULLEYS .877 SHAFT (OFFSET)**

Part Number	Description	Price
DP340I-10SC	3.40" - 10 Rib Pulley	\$142
DP355I-10SC	3.55" - 10 Rib Pulley	\$142
DP370I-10SC	3.70" - 10 Rib Pulley	\$142
DP385I-10SC	3.85" - 10 Rib Pulley	\$142
DP400I-10SC	4.00" - 10 Rib Pulley	\$142
DP413I-10SC	4.13" - 10 Rib Pulley	\$142
DP425I-10SC	4.25" - 10 Rib Pulley	\$142
DP438I-10SC	4.38" - 10 Rib Pulley	\$142
DP450I-10SC	4.50" - 10 Rib Pulley	\$142
DP475I-10SC	4.75" - 10 Rib Pulley	\$142
DP500I-10SC	5.00" - 10 Rib Pulley	\$142
DP525I-10SC	5.25" - 10 Rib Pulley	\$142
DP550I-10SC	5.50" - 10 Rib Pulley	\$142

**12-RIB SERPENTINE PULLEYS .877 SHAFT (OFFSET)**

Part Number	Description	Price
DP340I-12SC	3.40" - 12 Rib Pulley	\$155
DP370I-12SC	3.70" - 12 Rib Pulley	\$155
DP385I-12SC	3.85" - 12 Rib Pulley	\$155
DP400I-12SC	4.00" - 12 Rib Pulley	\$155
DP413I-12SC	4.13" - 12 Rib Pulley	\$155
DP425I-12SC	4.25" - 12 Rib Pulley	\$155
DP438I-12SC	4.38" - 12 Rib Pulley	\$155
DP450I-12SC	4.50" - 12 Rib Pulley	\$155
DP475I-12SC	4.75" - 12 Rib Pulley	\$155
DP525I-12SC	5.25" - 12 Rib Pulley	\$155
DP550I-12SC	5.50" - 12 Rib Pulley	\$155



6 RIB OFFSET PULLEY



8 RIB OFFSET PULLEY



10 RIB OFFSET PULLEY



12 RIB OFFSET PULLEY



# COG & OIL-FED SUPERCHARGER PULLEYS

## COG PULLEY HUB ADAPTERS

Part Number	Description	Price
3FADR-031	F-1/F-2 Cog Pulley Hub Kit	\$135
3FADR-033	F-3 Cog Pulley Hub Kit	\$145
3FADR-034	F-3/F-4 Cog Pulley Hub Kit - Splined	\$525

## COG PULLEYS

Part Number	Description	Price
DP050A-032	Cog Pulley - 32 Teeth (8mm Pitch, 50mm Wide)	\$199
DP050A-034	Cog Pulley - 34 Teeth (8mm Pitch, 50mm Wide)	\$199
DP050A-036	Cog Pulley - 36 Teeth (8mm Pitch, 50mm Wide)	\$199
DP050A-038	Cog Pulley - 38 Teeth (8mm Pitch, 50mm Wide)	\$199
DP050A-040	Cog Pulley - 40 Teeth (8mm Pitch, 50mm Wide)	\$199
DP050A-042	Cog Pulley - 42 Teeth (8mm Pitch, 50mm Wide)	\$199
DP050A-044	Cog Pulley - 44 Teeth (8mm Pitch, 50mm Wide)	\$199
DP050A-046	Cog Pulley - 46 Teeth (8mm Pitch, 50mm Wide)	\$199
DP050A-048	Cog Pulley - 48 Teeth (8mm Pitch, 50mm Wide)	\$199
DP050A-050	Cog Pulley - 50 Teeth (8mm Pitch, 50mm Wide)	\$199
DP050A-052	Cog Pulley - 52 Teeth (8mm Pitch, 50mm Wide)	\$199
DP050A-054	Cog Pulley - 54 Teeth (8mm Pitch, 50mm Wide)	\$199
DP050A-056	Cog Pulley - 56 Tooth (8mm Pitch, 50mm Wide)	\$199
DP050A-058	Cog Pulley - 58 Tooth (8mm Pitch, 50mm Wide)	\$199
DP075A-054	Cog Pulley - 54 Teeth (14mm Pitch, 75mm Wide)	\$459
DP075A-056	Cog Pulley - 56 Teeth (14mm Pitch, 75mm Wide)	\$459
DP075A-058	Cog Pulley - 58 Teeth (14mm Pitch, 75mm Wide)	\$459
DP075A-060	Cog Pulley - 60 Teeth (14mm Pitch, 75mm Wide)	\$459
DP075A-062	Cog Pulley - 62 Teeth (14mm Pitch, 75mm Wide)	\$459
DP075A-064	Cog Pulley - 64 Teeth (14mm Pitch, 75mm Wide)	\$459
DP075A-066	Cog Pulley - 66 Teeth (14mm Pitch, 75mm Wide)	\$459

## 6-RIB SERPENTINE PULLEYS .670 SHAFT (P600 & M1 OIL-FED NON-OFFSET)

Part Number	Description	Price
DP225I-006	2.25" - 6 Rib Pulley	\$119.00
DP255I-006	2.55" - 6 Rib Pulley	\$119.00
DP267I-006	2.67" - 6 Rib Pulley	\$119.00
DP280I-006	2.80" - 6 Rib Pulley	\$119.00
DP295I-006	2.95" - 6 Rib Pulley	\$119.00
DP310I-006	3.10" - 6 Rib Pulley	\$119.00
DP320I-006	3.20" - 6 Rib Pulley	\$119.00
DP340I-006	3.40" - 6 Rib Pulley	\$119.00

## 8-RIB SERPENTINE PULLEYS .670 SHAFT (P600 & M1 OIL-FED NON-OFFSET)

Part Number	Description	Price
DP265I-008	2.65" - 8 Rib Pulley	\$134.00
DP275I-008	2.75" - 8 Rib Pulley	\$134.00
DP285I-008	2.85" - 8 Rib Pulley	\$134.00
DP295I-008	2.95" - 8 Rib Pulley	\$134.00
DP305I-008	3.05" - 8 Rib Pulley	\$134.00
DP315I-008	3.15" - 8 Rib Pulley	\$134.00
DP325I-008	3.25" - 8 Rib Pulley	\$134.00
DP335I-008	3.35" - 8 Rib Pulley	\$134.00
DP345I-008	3.45" - 8 Rib Pulley	\$134.00
DP365I-008	3.65" - 8 Rib Pulley	\$134.00
DP375I-008	3.75" - 8 Rib Pulley	\$134.00
DP385I-008	3.85" - 8 Rib Pulley	\$134.00

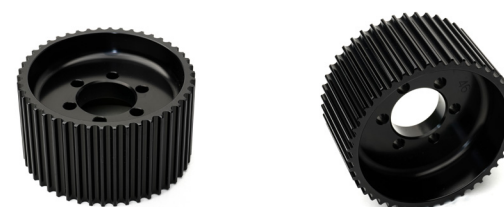
## 12-RIB SERPENTINE PULLEYS .670 SHAFT (P600 & M1 OIL-FED NON-OFFSET)

Part Number	Description	Price
DP255I-012	2.55" - 12 Rib Pulley	\$155.00
DP290I-012	2.90" - 12 Rib Pulley	\$155.00
DP295I-012	2.95" - 12 Rib Pulley	\$155.00
DP305I-012	3.05" - 12 Rib Pulley	\$155.00
DP320I-012	3.20" - 12 Rib Pulley	\$155.00
DP325I-012	3.25" - 12 Rib Pulley	\$155.00
DP335I-012	3.35" - 12 Rib Pulley	\$155.00
DP355I-012	3.55" - 12 Rib Pulley	\$155.00
DP365I-012	3.65" - 12 Rib Pulley	\$155.00

## 12-RIB SERPENTINE PULLEYS .670 SHAFT

### (P600 & M1 OIL-FED NON-OFFSET SINGLE SHOULDER)

Part Number	Description	Price
DP255I-12SS	2.55" - 12 Rib Pulley	\$155.00
DP275I-12SS	2.75" - 12 Rib Pulley	\$155.00
DP285I-12SS	2.85" - 12 Rib Pulley	\$155.00



COG PULLEY

**PULLEY SHIMS (.877 SHAFT - P, D, & SMALL F-SERIES)**

Part Number	Description	Price
PDW01C-065	.065 Pulley Shims	\$5.10
PDW01C-070	.070 Pulley Shims	\$5.10
PDW01C-075	.075 Pulley Shims	\$5.10
PDW01C-080	.080 Pulley Shims	\$5.10
PDW01C-085	.085 Pulley Shims	\$5.10
PDW01C-090	.090 Pulley Shims	\$5.10
PDW01C-095	.095 Pulley Shims	\$5.10
PDW01C-100	.100 Pulley Shims	\$5.50
PDW01C-105	.105 Pulley Shims	\$5.50
PDW01C-110	.110 Pulley Shims	\$5.50
PDW01C-115	.115 Pulley Shims	\$5.50
PDW01C-120	.120 Pulley Shims	\$5.50
PDW01C-125	.125 Pulley Shims	\$5.50
PDW01C-130	.130 Pulley Shims	\$5.50
PDW01C-140	.140 Pulley Shims	\$5.50
PDW01C-145	.145 Pulley Shims	\$5.50
PDW01C-150	.150 Pulley Shims	\$5.50
PDW01C-155	.155 Pulley Shims	\$6.10
PDW01C-160	.160 Pulley Shims	\$6.10
PDW01C-170	.170 Pulley Shims	\$6.10
PDW01C-190	.190 Pulley Shims	\$6.10
PDW01C-230	.230 Pulley Shims	\$6.90
PDW01C-270	.270 Pulley Shims	\$6.90

**BELTS AND DRIVE SYSTEM COMPONENTS**

Part Number	Description	Price
DBxxxI-006	6 Rib Serpentine Belt (All Lengths)	\$59
DBxxxI-008	8 Rib Serpentine Belt (All Lengths)	\$54
DBxxxI-010	10 Rib Serpentine Belt (All Lengths)	\$84
DBxxxI-012	12 Rib Serpentine Belt (All Lengths)	\$84
DBG-xxxxI	Gates HD Green Serpentine Belt (select sizes)	CALL
DB640I-030	Cog Belt 30mm wide (carbon) (Stage II HEMI, high hp)	\$215
DBxxxI-075XP	Cog Belt 75mm wide (Rubber) (8 mm Tooth Pitch)	\$169
DBxxxI-50GT	Cog Belt 50mm wide (Rubber) (8 mm Tooth Pitch)	\$169
DBxxxI-055	Cog Belt 55mm wide (Kevlar) (14 mm Tooth Pitch)	\$467
DBXXXI-14-75	Cog Belt 75mm wide (Kevlar) (14 mm Tooth Pitch)	\$467
DBXXXI-050	Cog Belt 50mm wide (Kevlar) (8 mm Tooth Pitch)	\$445

# GAUGES & FUEL SYSTEM COMPONENTS



20 PSI BOOST GAUGE, BLACK



20 PSI BOOST GAUGE, SILVER



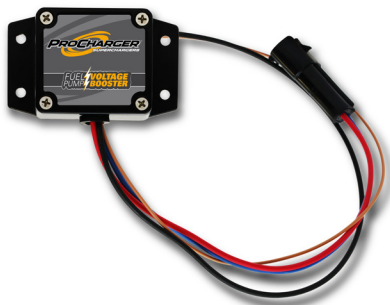
30 PSI FUEL PRESSURE GAUGE, SILVER

## GAUGES

Part Number	Description	Price
MG001I-001	Boost Gauge - Auto (0-20psi)	\$109
MG001I-005	Mech.Boost/Vac Gauge, 2-1/16" 20psi (Branded, Black Face)	\$109
MG001I-007	Electric Fuel Pressure Gauge 2-1/16" 30psi (Branded, Silver Face)	\$259
MG001I-008	Mechanical Boost Gauge 2-1/16" 30/-20 (Branded, Silver Face)	\$109

## FUEL SYSTEM COMPONENTS

Part Number	Description	Price
3DIFP-001	Fuel Pump Booster Dodge Challenger/Charger Plug And Play	\$690
3TMMM-006	Fuel Pump Booster Universal Bag	\$450
3TMMM-007	Fuel Pump Booster Universal Bag - Hobbs Triggered	\$625
3FRFR-001	Fuel Pump Voltage Booster Bag 2011-14 Mustang	\$470
3FWFR-001	Fuel Pump Voltage Booster Bag 2015+ Mustang	\$470
3FWFR-002	Fuel Pump Voltage Booster Bag GT350	\$675



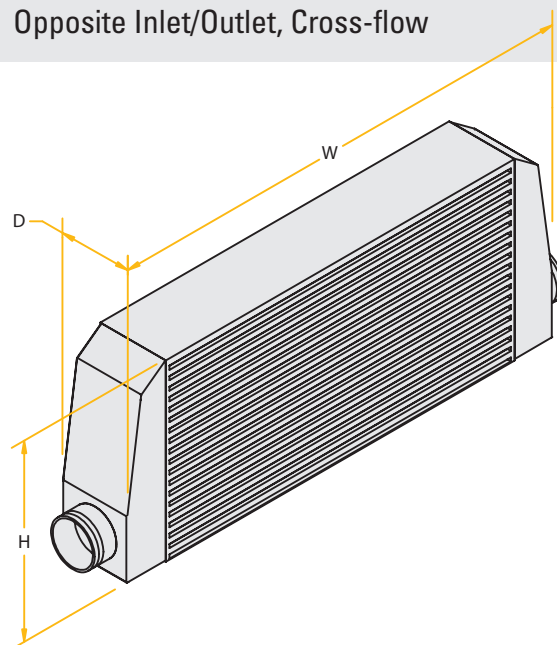
## ADVANTAGES OF A PROCHARGER FUEL PUMP BOOSTER

- Small, efficient, lightweight, and easy to install... and MADE IN THE USA!
- When the input trigger is activated, the output voltage will quickly transition to 18.0V output to the fuel pump.
- Can source up to 40 Amps of current from an input power source to drive a single fuel pump.
- When not triggered, the booster will pass the input voltage intended for the fuel pump directly to the output.
- Can be triggered from a voltage source as low as 5.0V.



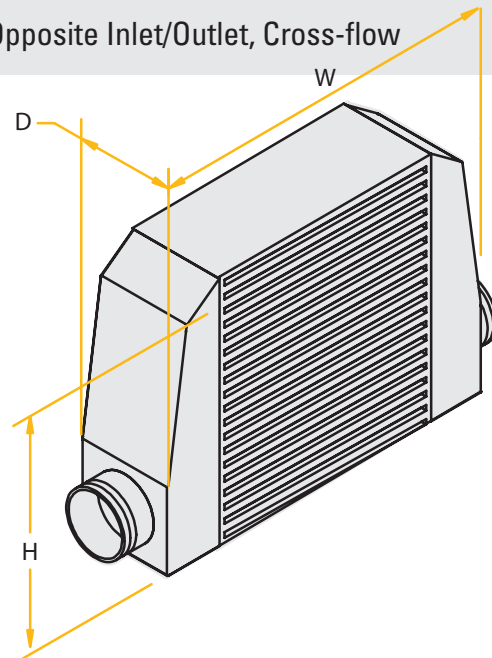
### AIR-TO-AIR S/M

Opposite Inlet/Outlet, Cross-flow



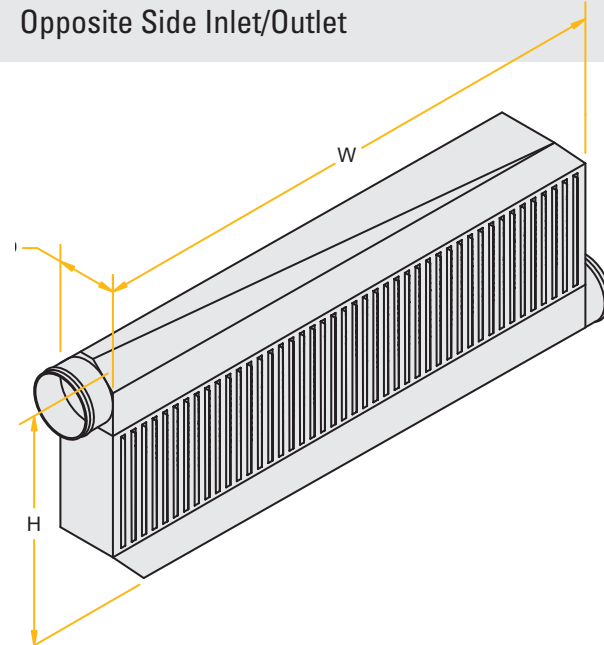
### AIR-TO-AIR S/M

Opposite Inlet/Outlet, Cross-flow



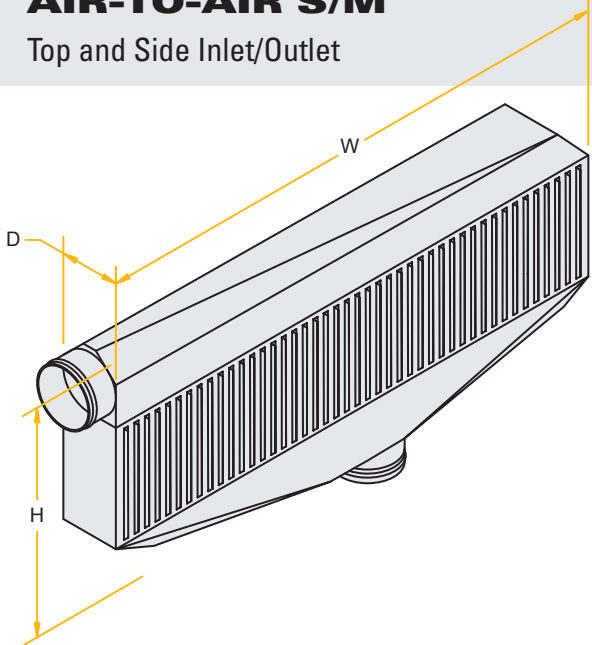
### AIR-TO-AIR S/M

Opposite Side Inlet/Outlet



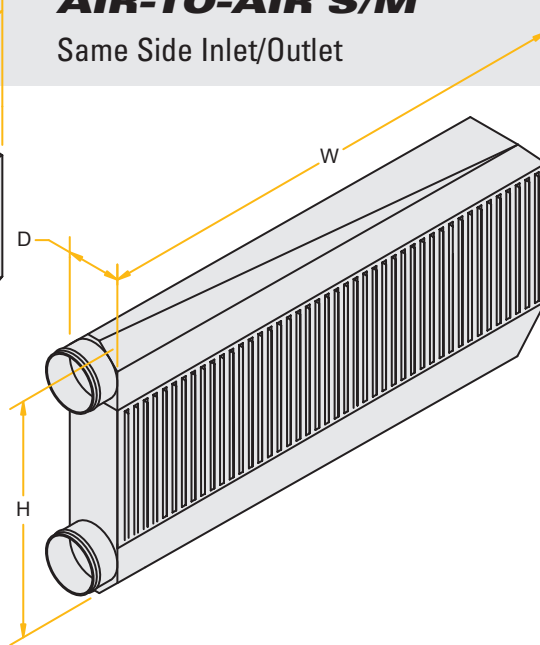
### AIR-TO-AIR S/M

Top and Side Inlet/Outlet



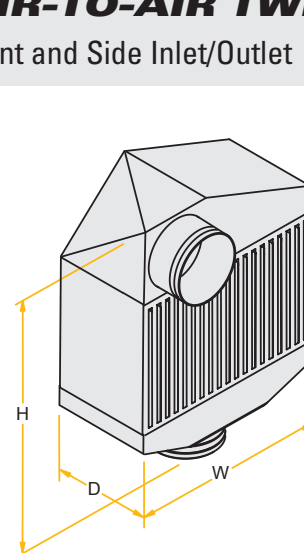
### AIR-TO-AIR S/M

Same Side Inlet/Outlet



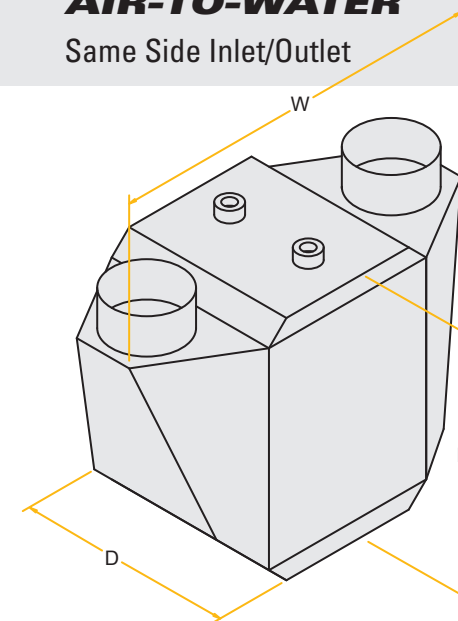
### AIR-TO-AIR TWIN

Front and Side Inlet/Outlet



### AIR-TO-WATER

Same Side Inlet/Outlet



Use this intercooler chart for dimensions of the various intercooler types and inlet/outlet positions shown below. Dimensions are approximate.

### AIR-TO-AIR INTERCOOLERS

Part #	End Tank Type	In/Out Location	In/Out DIA.	Max HP	Core Width	Height	Depth	Price
AI002A-001	Sheet Metal	Opposite Sides	3"	500	18	12.5	3	\$898
AIFP1A-004	Sheet Metal	Opposite Sides	3"	500	18	12.5	3.5	\$898
AIFP1A-001	Sheet Metal	Opposite Sides	3"	650	24	12.5	3.5	\$1,198
AI003A-001	Sheet Metal	Opposite Sides	3"	825	27	12.5	3	\$1,198
AI003A-002	Sheet Metal	Opposite Sides	3"	950	27	15	3	\$1,398
AIDD1A-071	Sheet Metal	Opposite Sides	3"	1000	24	20	3	\$1,498
AI003A-005	Sheet Metal	Opposite Sides	3.5"	1050	27	15	3	\$1,498
AI045A-001	Sheet Metal	Opposite Sides	3.5"	1300	27	12	4.5	\$1,798
AI006A-001	Sheet Metal	Opposite Sides	4"	1550	27	12	6	\$2,298
AJK1A-002	Sheet Metal	Opposite Sides Cross Flow	3"	475	18	11	3	\$1,198
AIFR1A-010	Sheet Metal	Opposite Sides Cross Flow	3"	650	29	12	3.5	\$1,198
AIGN2A-011	Sheet Metal	Opposite Sides Cross Flow	3"	800	29	12	4.5	\$1,398
AIFW1A-035	Sheet Metal	Opposite Sides Cross Flow	3.5"	1200	20	17.5	4.5	\$1,498
AIGU1A-001	Sheet Metal	Front, Cross Flow	3"	1000	34	9	4.5	\$1,398
AIDD1A-015	Sheet Metal	Top/Side	3"	750	24	17	3	\$1,198
AIGO3A-001	Sheet Metal	Top/Side	3"	1050	27	13	3.5	\$1,398
AIGO3A-003	Sheet Metal	Top/Side	3.5"	1300	27	12	4.5	\$1,498
AIGO3A-004	Sheet Metal	Top/Side	3.5"/4"	1300	27	12	4.5	\$1,598
AI002A-003	Sheet Metal	Same Side	3"	500	18	12.5	3	\$998
AIGN1A-001	Sheet Metal	Same Side	3"	600	18	12.5	3.5	\$998
AI003A-003	Sheet Metal	Same Side	3"	825	27	12.5	3	\$998
AI003A-004	Sheet Metal	Same Side	3"	950	27	15	3	\$1,398
AIDG1A-073	Sheet Metal	Same Side	3"	1000	24	20	3	\$1,498
AI003A-006	Sheet Metal	Same Side	3.5"	1050	27	15	3	\$1,398
AI045A-002	Sheet Metal	Same Side	3.5"	1300	27	15	4.5	\$2,198
AI006A-002	Sheet Metal	Same Side	4"	1550	27	12	6	\$2,398

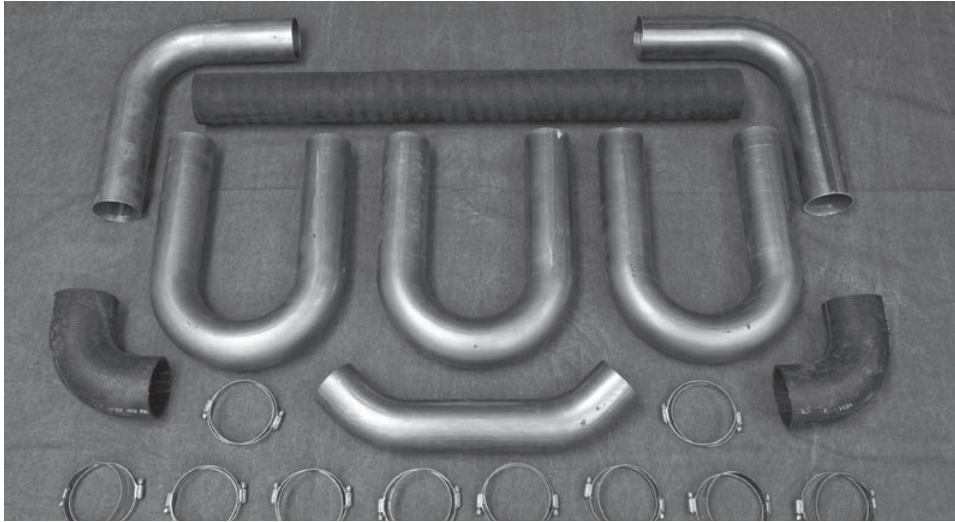
### AIR-TO-AIR TWIN INTERCOOLERS

Part #	End Tank Type	In/Out Location	In/Out DIA.	Max HP	Width	Height	Depth	Price
AIGB1A-XXX	Twin Sheet Metal	Opposite Sides	2"	500 Per Pair	9	10.5	3	\$798
AIGA1A-XXX	Twin Sheet Metal	Opposite Sides	2.5"	750 Per Pair	9	11	3.5	\$798
AIGK1A-XXX	Twin Sheet Metal	Front/Side	3"	850 Per Pair	9	11	4.5	\$898

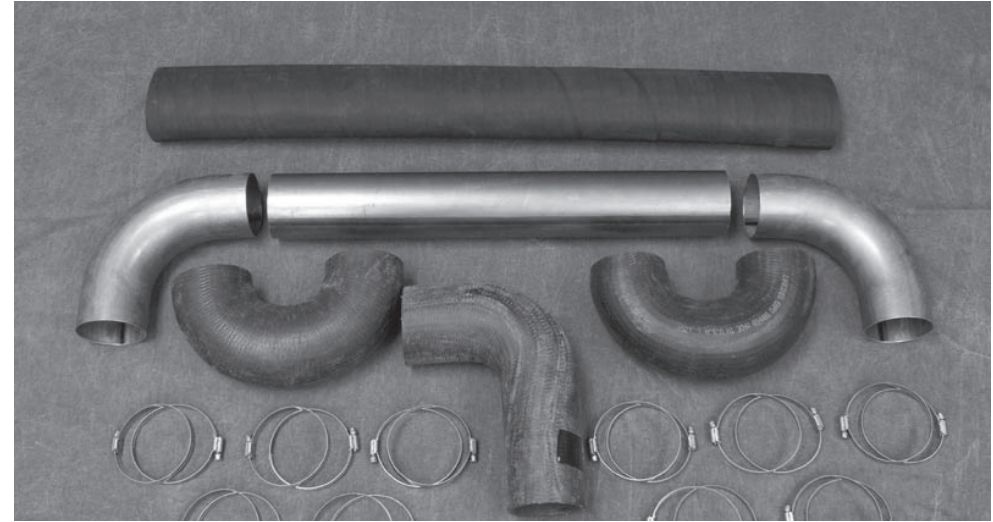
### AIR-TO-WATER INTERCOOLERS

Part #	End Tank Type	In/Out Location	In/Out DIA.	Max HP	Width	Height	Depth	Price
AIGU1I-123	Sheet Metal/Billet	Same Side	3.5"	1500	12.5	10	12	\$1,698
WI1005A-003	Sheet Metal	Same Side	3.5"	1500	13	11	9	\$1,898
WI1005A-001	Sheet Metal	Same Side	4"	1800	9	13	19	\$2,498
WI1005A-002	Sheet Metal	Same Side	4"	2400	13	13	23	\$2,998

\*\* Note: add approximately 2" to the above measurements to the side(s) that have the air inlets/outlets



3.0" UNIVERSAL TUBING KIT (STEEL)



3.5" UNIVERSAL TUBING KIT (STEEL)

## UNIVERSAL TUBING KITS

Part Number	Description	Price
AI004A-002	Universal Tubing Kit (2.50" Steel)	\$402
AI004A-003	Universal Tubing Kit (3.00" Steel)	\$415
AI004A-035	Universal Tubing Kit (3.50" Steel)	\$425
AI004A-004	Universal Tubing Kit (4.00" Aluminum)	\$998



# CARB HATS



4150 COMPETITION CARB HAT  
SATIN FINISH  
Height: 4.5"



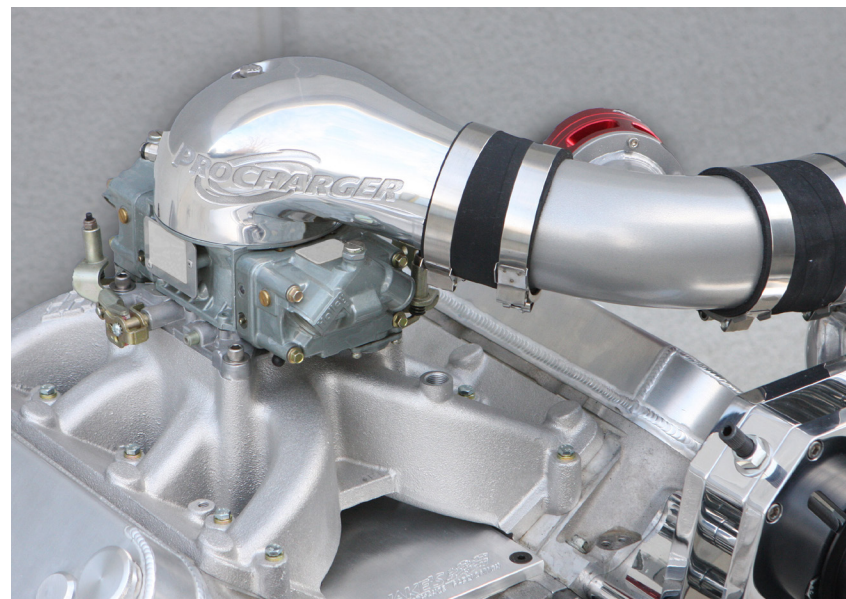
4500 COMPETITION CARB HAT  
POLISHED FINISH  
Height: 5.5"



LOW PROFILE CARB HAT  
SATIN FINISH  
Height: 2.0"

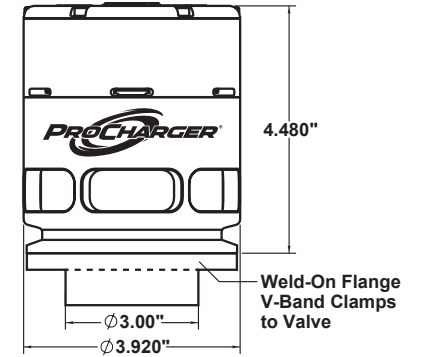
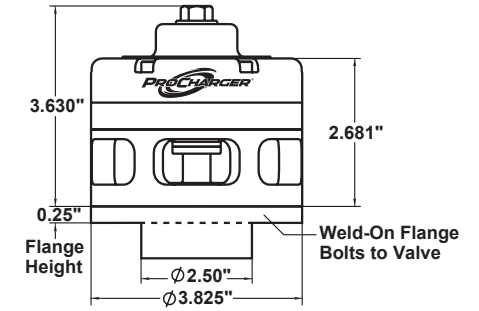
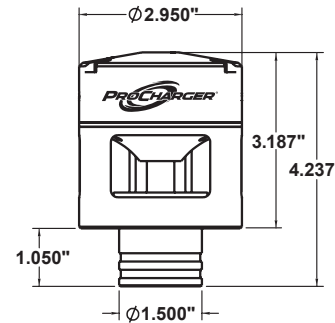
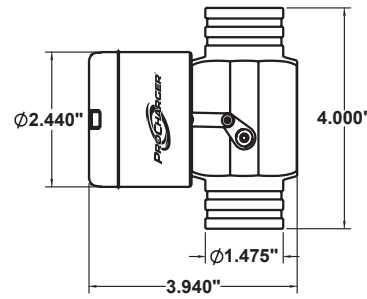


STANDARD CARB HAT  
BLACK FINISH  
Height: 2.75"



## CARBURETOR HATS AND COMPONENTS

Part Number	Description	Price
AM006A-001	Low Profile Carb Hat 4150, Satin Finish (3" Inlet, 2" Height)	\$220
AM006A-001B	Low Profile Carb Hat 4150, Black Finish (3" Inlet, 2" Height)	\$319
AM006A-001P	Low Profile Carb Hat 4150, Polished Finish (3" Inlet, 2" Height)	\$319
AM009A-001	Standard Carb Hat 4150, Satin Finish (3.5" Inlet, 2.75" Height)	\$242
AM009A-001B	Standard Carb Hat 4150, Black Finish (3.5" Inlet, 2.75" Height)	\$340
AM009A-001P	Standard Carb Hat 4150, Polished Finish (3.5" Inlet, 2.75" Height)	\$340
AM001A-001	Competition Carb Hat 4150, Satin Finish (3.5" Inlet, 4.5" Height)	\$292
AM001A-001B	Competition Carb Hat 4150, Black Finish (3.5" Inlet, 4.5" Height)	\$392
AM001A-001P	Competition Carb Hat 4150, Polished Finish (3.5" Inlet, 4.5" Height)	\$392
AM001A-002B	Competition Carb Hat 4500, Black Finish (5" Inlet, 5.5" Height)	\$508
AM001A-002P	Competition Carb Hat 4500, Polished Finish (5" Inlet, 5.5" Height)	\$468
AM001A-003	4500 Competition Carb Hat O-Ring	\$11
AM001I-004	4150 Competition Carb Hat O-Ring	\$10
AF006A-071	Billet Carb 1" Spacer Ring	\$49
AF006A-072	Billet Carb 2" Spacer Ring	\$60
AF006A-073	Billet Carb 3" Spacer Ring	\$76



FOR MORE INFORMATION ON SELECTING THE BEST VALVE FOR YOUR APPLICATION, VISIT [PROCHARGER.COM](http://PROCHARGER.COM)



Application	Street	Street	Street	Street/Race	Street/Race	Street/Race	Race
Inlet Diameter	1.5 in.	1.5 in.	1.5 in.	2.0 in.	2.0 in.	2.5 in.	3.0 in.
Outlet Diameter	1.5 in.	Open Vent	1.5 in.	Open Vent	2.0 in.	Open Vent	Open Vent
Mounting	Hose Clamp	Hose Clamp	Hose Clamp	Weld-on Flange, Bolt-on Valve	Weld-on Flange, Bolt-on Valve	Weld-on Flange, V-band Clamp	Weld-on Flange, V-band Clamp
Colors Available	Black	Black	Black	Black, Red	Black, Red	Black, Red	Black, Red

# BYPASS VALVES

## BYPASS VALVES

Part Number	Description	Price
AV008A-001	ProFlow Base Unit	\$268
AV006A-004	Bullet Valve "Open"	\$388
AV006A-003	Bullet Valve "Closed"	\$388
3FASS-004	Race Valve "Open" w/ Aluminum Tube Kit - Red	\$498
3FASS-004B	Race Valve "Open" w/ Aluminum Tube Kit - Black	\$498
3FASS-008	Race Valve "Open" w/ Steel Tube Kit - Red	\$498
3FASS-008B	Race Valve "Open" w/ Steel Tube Kit - Black	\$498
3FASS-003	Race Valve "Closed" w/ Aluminum Tube Kit - Red	\$498
3FASS-003B	Race Valve "Closed" w/ Aluminum Tube Kit - Black	\$498
3FASS-007	Race Valve "Closed" w/ Steel Tube Kit - Red	\$498
3FASS-007B	Race Valve "Closed" w/ Steel Tube Kit - Black	\$498
3FASS-005	Steel Flange/Tube (Race Valve) Kit	\$65
3FASS-006	Aluminum Flange/Tube (Race Valve) Kit	\$65
3FASS-024	Competition Valve "Open" w/ Aluminum Tbe Kit - Red	\$548
3FASS-023	Competition Valve "Open" w/ Aluminum Tube Kit - Black	\$548
3FASS-010	ProRace Valve - Universal - Red	\$768
3FASS-010B	ProRace Valve - Universal - Black	\$768
3FASS-018	ProRace Valve w/ 4" Aluminum Tube Kit - Red	\$788
3FASS-018B	ProRace Valve w/ 4" Aluminum Tube Kit - Black	\$788
3FASS-019	ProRace Valve w/ 5" Aluminum Tube Kit - Red	\$788
3FASS-019B	ProRace Valve w/ 5" Aluminum Tube Kit - Black	\$788

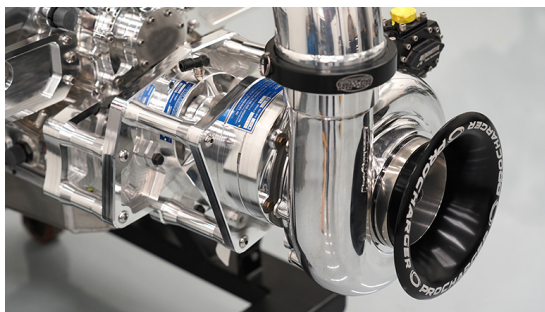
## VALVE SERVICE PARTS

Part Number	Description	Price
AV002A-001	Race Valve Rebuild Kit	\$58
3FASS-030	Competition Valve Rebuild Kit	\$54
3FASS-020	ProRace Valve Rebuild Kit	\$100
AV008I-012	ProFlow Bypass Diaphragm	\$22
AF057I-004	Air Filter "Surge System Filter" 1.5" Inlet, 4" Long, 3" Diameter	\$55

## VACUUM BLOCKS

Part Number	Description	Price
3XXSS-001	Universal Vacuum Block Kit - No Valve	\$100
3XXSS-002	Universal Vacuum Block Kit Pushlock - No Valve	\$115





## Iconic Racing Bellmouth

Seen on winning race cars throughout most series and classes, the ProCharger bellmouth improves efficiency by smoothing airflow and reducing turbulence. To see real-world examples, visit our racing blog at [procharger.com](http://procharger.com).



RACE BELLMOUTH



SCREENED BELLMOUTH

### SCREENED BELLMOUTHS

Part Number	Description	Price
3PCAI-104	Screened Bellmouth - 3.5" inlet diameter	\$115
3PCAI-101	Screened Bellmouth - 3.75" inlet diameter	\$225
3PCAI-102	Screened Bellmouth - 4" inlet diameter	\$235
3PCAI-121	Screened Bellmouth - 4.5" inlet diameter	\$288
3PCAI-103	Screened Bellmouth - 5" inlet diameter	\$290
3PCAI-131	Screened Bellmouth - 5.5" inlet diameter	\$290
3PCAI-141	Screened Bellmouth - 5.75" inlet diameter (F-3R-131, F-3)	\$265
3PCAI-135	Screened Bellmouth - 6" inlet diameter	\$265

### RACE BELLMOUTHS

Part Number	Description	Price
AF006A-026	Race Bellmouth - F-1 / F-1A / F-1D / F-1A-91 - use with 3.75" T-bolt clamp	\$388
AF006A-025	Race Bellmouth - F-1A-94 / F-1C-94 - use with 4.00" T-bolt clamp	\$388
AF006A-028	Race Bellmouth - F-1C / F-1R - use with 4.00" T-bolt clamp	\$398
AF006A-020	Race Bellmouth - F-1X / F-3D-102 / F-3D-104 / F-3D-106 - use with 4.50" T-bolt clamp	\$448
AF006A-017	Race Bellmouth - F-2 - use with 4.75" T-bolt clamp	\$448
AF006A-019	Race Bellmouth - F-3R 112 (F-1X-12) - use with 5.00" T-bolt clamp	\$448
AF006A-018	Race Bellmouth - F-3R-121 (Req Machined Volute) - use with (6) CS03CI-10SS bolts	\$448
AF006A-016	Race Bellmouth - F-3R-130 / F-3R-136 / F-3R-140 - use with 5.75" T-bolt clamp	\$478
AF006A-027	Race Bellmouth - F-3R-102 / F-3X-140 / F-4X-136 / F-4X-140 / F-4X-140-1 / F-4X-144 - use with 5.75" T-bolt clamp	\$538

### RACE BELLMOUTH CLAMPS

Part Number	Description	Price
CLT375I-1SS	3.75" T-Bolt Hose Clamp, Stainless Steel	\$7
CLT400I-1SS	4.00" T-Bolt Hose Clamp, Stainless Steel	\$7
CLT450I-1SS	4.50" T-Bolt Hose Clamp, Stainless Steel	\$7
CLT475I-1SS	4.75" T-Bolt Hose Clamp, Stainless Steel	\$7
CLT500I-1SS	5.00" T-Bolt Hose Clamp, Stainless Steel	\$8
CLT575I-1SS	5.75" T-Bolt Hose Clamp, Stainless Steel	\$8
CS03CI-10SS	F-3R-121 Bellmouth Screws (6)	\$6.60

# INLET GUARDS & AIR FILTERS

## INLET GUARDS

Part Number	Description	Price
AF006A-110	ProCharger Inlet Guard 3.75" Inlet	\$117
AF006A-111	ProCharger Inlet Guard 4.00" Inlet	\$122
AF006A-112	ProCharger Inlet Guard 4.75" Inlet	\$128

## AIR FILTERS

Part Number	Description	Price
AF056I-003	Air Filter - 4.5" inlet, 6" long, 5.875" base diameter	\$99
AF056I-004	Air Filter - 5" inlet, 10" long, 6.5" base diameter	\$110
AF056I-005	Air Filter - 4" inlet, 7" long, 5.375" base diameter	\$77
AF056I-007	Air Filter - 3.5" inlet, 7" long, 4.625" base diameter	\$77
AF056I-009	Air Filter - 3.5" inlet, 9" long, 6" base diameter	\$88
AF057I-001	Air Filter - 4" inlet, 9" long, 6" diameter	\$99

Additional filters and panel filters available. For details and pricing, call (913) 338-2886 or email [ts@procharger.com](mailto:ts@procharger.com).



INLET GUARD



AIR FILTER FOR PROFLOW  
BYPASS VALVE



SUPERCHARGER AIR FILTER

**REPOSITIONER BRACKETS**

Part Number	Description	Price
AB008A-065	BBC Repositioner Bracket	\$110
AB007A-085	SBC Repositioner Bracket	\$99
AB007A-085P	SBC Repositioner Bracket - Polished Finish	\$159
AB038A-021	LSx Repositioner Bracket	\$100

**BRACKET BRACES**

Part Number	Description	Price
3PCBB-001	Front Cover Brace (7.75-9.75" Adjustable Rod)	\$289
3PCBB-002	Front Cover Brace (9.75-11.75" Adjustable Rod)	\$289
3PCBB-003	Front Cover Brace (11.75-13.75" Adjustable Rod)	\$289
3PCBB-004	Bracket Brace (7.75-9.75" Adjustable Rod)	\$358
3PCBB-005	Bracket Brace (9.75-11.75" Adjustable Rod)	\$358
3PCBB-006	Bracket Brace (11.75-13.75" Adjustable Rod)	\$358

**CRANK PINNING KITS**

Part Number	Description	Price
3FZMM-002	Ford 7.3L Crank Pin Kit	\$109
3DEMM-xxx	Hemi Crank Pin Kit (5.7L, 6.4L)	\$109
3GSMM-001	GM LS Balancer Crank Pin Kit	\$109
3GKMM-004	GM LS1/LS2/LS6 Crank Pin Kit	\$109
MD001I-003	Crank Pin	\$6

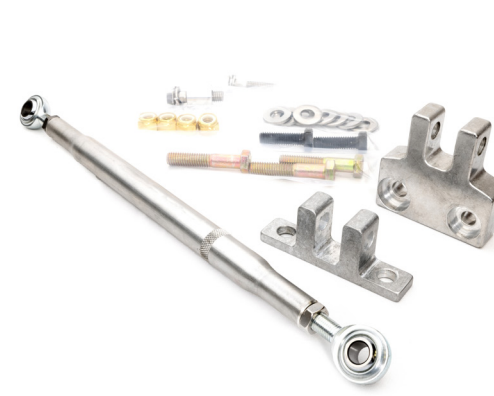
Supercharger brackets and individual components are available for all current applications. For details, call (913) 338-2886 or email [ts@procharger.com](mailto:ts@procharger.com).



BBC REPOSITIONER BRACKET



CRANK PINNING KIT



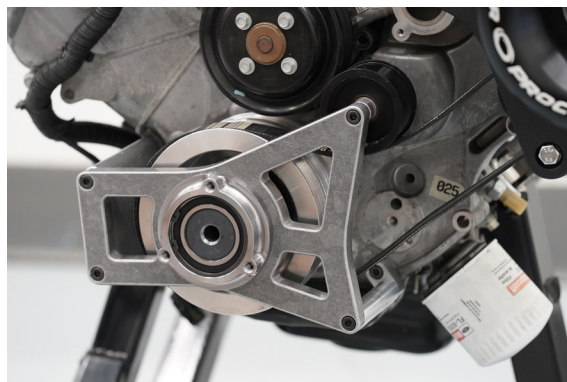
BRACKET BRACE



# CRANK SUPPORTS

## CRANK SUPPORTS

Part Number	Description	Price
2FWSU-003	2011-14 Mustang Crank Support Field Upgrade	\$775
2FWSU-003B	2011-14 Mustang Crank Support Field Upgrade - Black	\$998
2FWSU-003P	2011-14 Mustang Crank Support Field Upgrade - Polished	\$998
2FWSU-003	2015-20 Mustang Crank Support Field Upgrade	\$775
2FWSU-003B	2015-20 Mustang Crank Support Field Upgrade - Black	\$998
2FWSU-003P	2015-20 Mustang Crank Support Field Upgrade - Polished	\$998
2FWSU-003	2011-14 F-150 Crank Support Field Upgrade	\$775
2FWSU-003B	2011-14 F-150 Crank Support Field Upgrade - Black	\$998
2FWSU-003P	2011-14 F-150 Crank Support Field Upgrade - Polished	\$998
2FWSU-003	2015-20 F-150 Crank Support Field Upgrade	\$775
2FWSU-003B	2015-20 F-150 Crank Support Field Upgrade - Black	\$998
2FWSU-003P	2015-20 F-150 Crank Support Field Upgrade - Polished	\$998
2FWSU-003	2021+ F-150 Crank Support Field Upgrade	\$775
2FWSU-003B	2021+ F-150 Crank Support Field Upgrade - Black	\$998
2FWSU-003P	2021+ F-150 Crank Support Field Upgrade - Polished	\$998
3FWDR-007	2015+ Mustang Gen 2/3 Coyote 10 Rib Crank Pulley (For ATI Performance Products Balancer)	\$480
3FWDR-009	2015+ Mustang Gen 2/3 Coyote 10 Rib Crank Pulley (For Innovators West Balancer)	\$480
3FWDR-002	2015+ Mustang Gen 2/3 Coyote 8 Rib 8.00" Crank Pulley (For ATI Performance Products Balancer) Kit Build Before 04/30/20	\$298
3FWDR-006	2015+ Mustang Gen 2/3 Coyote 8 Rib 7.65" Crank Pulley (For ATI Performance Products Balancer) Kit Build Before 04/30/20	\$288
3FWDR-010	2015+ Mustang Gen 2/3 Coyote 8 Rib 8.00" Crank Pulley (For Innovators West Balancer) Kit Build Before 04/30/20	\$298
3FRDR-002	2011-14 Mustang Gen 1 Coyote 8 Rib 7.65" Crank Pulley (For ATI Performance Products Balancer) Kit	\$288
3FRDR-011	2011-14 Mustang Gen 1 Coyote 8 Rib 7.65" Crank Pulley (For Innovators West Balancer) Kit	\$288
3FRDR-002	2011-20 F-150 Coyote 8 Rib 7.65" Crank Pulley (For ATI Performance Products Balancer) Kit	\$288
3FRDR-011	2011-20 F-150 Coyote 8 Rib 7.65" Crank Pulley (For Innovators West Balancer) Kit	\$288
3FRDR-012	2011-20 F-150 Coyote 10 Rib 7.65" Crank Pulley (For ATI Performance Products Balancer) Kit	\$480
3FRDR-013	2011-20 F-150 Coyote 10 Rib 7.65" Crank Pulley (For Innovators West Balancer) Kit	\$480



### Have an ultra high HP or high RPM Coyote engine?

One of the best bang for the buck items to ensure crankshaft stability and durability, in modified applications, is the addition of a crank support. These supports are designed to work with ProCharger systems and are 100% bolt-on without any engine/block modifications. For more questions on these supports, please call us at (913) 338-2886 or email [ts@procharger.com](mailto:ts@procharger.com).

**FIELD UPGRADES**

<b>Part Number</b>	<b>Description</b>	<b>Price</b>
2AIFA1A-004	86-93 Mustang Twin Hi-Flow IC Field Upgrade	\$2,598
2FSIC-001	2017-18 Ford Raptor / 15+ F-150 (3.5 Ecoboost) IC Upgrade	\$2,200
2FSSU-001	2010-14 6.2L Ford SVT Raptor Stage 2 Field Upgrade	\$2,598
2FWSU-001	2015+ Mustang GT HO IC to Stage 2 IC Upgrade	\$1,950
2FWSU-002	2016-20 Mustang GT350 9 psi Boost Upgrade (Stage II only)	\$499
2GJ115-08	98-02 LS1 Fbody 8 Rib Drive Upgrade Kit	\$1,498
2GJ115-IC	98-02 LS1 Fbody Race Intercooler Upgrade Kit	\$2,235
2GPIC-001	C6/Z06 Corvette Race IC Field Upgrade	\$1,625
2GQSU-001	2005-13 C6 Corvette Stage 2 Field Upgrade	\$1,798
2GQSU-002	2005-13 C6 Corvette HD Tensioner Field Upgrade	\$1,365
2GUSU-001	2014-16 C7/Z06 Corvette Intake Manifold Field Upgrade	\$2,798
2GUSU-002	2015-19 C7/Z06 Corvette Air/Water Field Upgrade	\$4,499
2GUSU-003	2014-19 C7 Corvette Air/Water Field Upgrade	\$6,899
2GUSU-004	2014-19 C7/C7/Z06 Corvette 10 Rib Field Upgrade	\$895
2GUSU-005	2014-19 C7 Corvette Prorace Air/Water Field Upgrade	\$7,950
2GYSU-001	2016+ Camaro LT1 Air/Water Field Upgrade	\$6,899
2GYSU-002	2017+ Camaro LT4 Air/Water Field Upgrade	\$4,499
2GYSU-003	2016+ Camaro 10 Rib Field Upgrade	\$895
2KCSU-001	2020-2023 C8 Corvette Complete HO System Field Upgrade	\$4,599
2KCSU-001-SII	2020-2023 C8 Corvette Complete Stage II System Field Upgrade	\$4,798

# SUPERCHARGER SPEED CALCULATIONS



## CALCULATE THE ROTATIONAL SPEED OF YOUR SUPERCHARGER

Ever wonder how to calculate the supercharger speed for your ProCharger supercharger system?

Well in case you did, we have made it easy for you! By using these calculations below and some simple inputs, it will allow you to know exactly how fast the supercharger impeller is spinning and where you are at compared to the redline rpm of the supercharger head unit.

To simplify this calculation, use our calculator tool at [procharger.com](http://procharger.com).

If you have any questions about using these calculations, please call us at (913) 338-2886 or email [ts@procharger.com](mailto:ts@procharger.com).

$$\text{SUPERCHARGER RPM (V-BELT)} = \frac{\text{CRANK PULLEY DIAMETER}}{\text{BLOWER PULLEY DIAMETER}} \times \text{MAX ENGINE RPM} \times \text{SUPERCHARGER GEAR RATIO}$$

$$\text{SUPERCHARGER RPM (COG BELT)} = \frac{\text{CRANK PULLEY TOOTH COUNT}}{\text{BLOWER PULLEY TOOTH COUNT}} \times \text{MAX ENGINE RPM} \times \text{SUPERCHARGER GEAR RATIO}$$

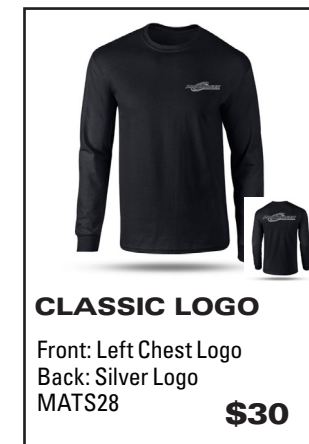
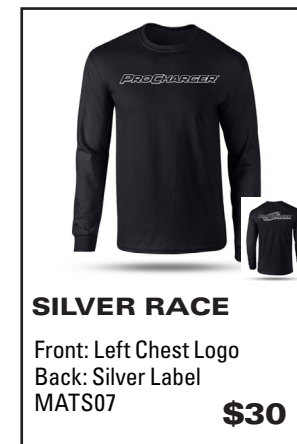
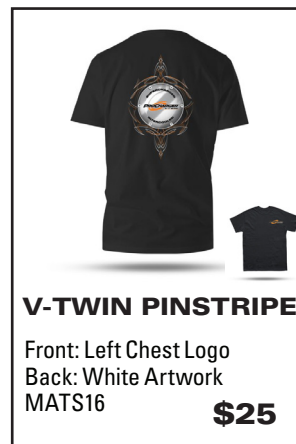
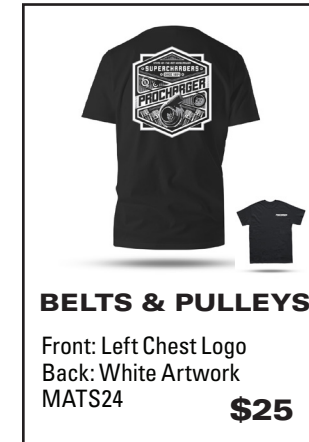
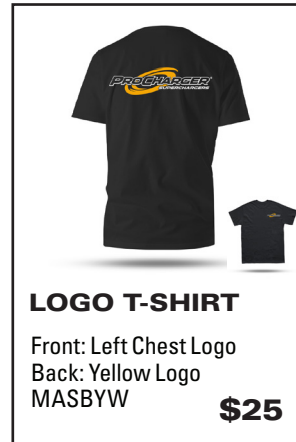
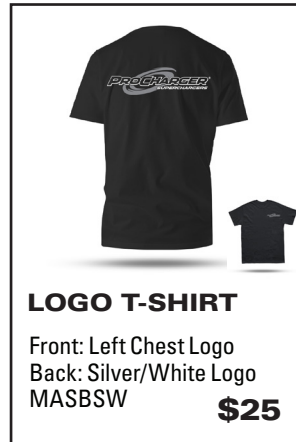
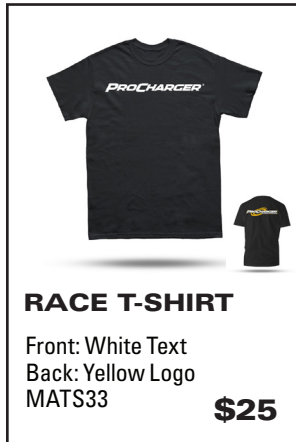
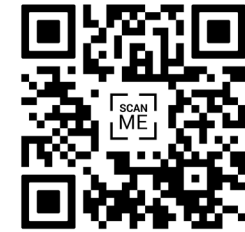


FOR A SIMPLE CALCULATOR TOOL,  
VISIT [PROCHARGER.COM](http://PROCHARGER.COM)



## APPAREL

Race over to our online store and show your ProCharger pride with a great selection of ProCharger merch! It contains the latest and greatest new apparel products.





## MORE MERCH ON PROCHARGER.COM

Our online store features the latest and greatest new apparel products, additional t-shirt colors, and kids-wear. Visit [procharger.com](http://procharger.com) today!



### SHIFTER ZIP

Front: White Text  
Back: Brand Artwork  
MATS42

**\$54**



### RACE HOODIE

Front: White Text  
Back: Yellow Logo  
MATS21

**\$45**



### EAGLE ZIP

Front: Left Chest Logo  
Back: Yellow Artwork  
MATS45

**\$54**



### SCARF

MATS47

**\$20**



### BEANIE

MATS54

**\$20**



### CAMO

Snapback trucker hat  
MAHT01-005

**\$30**



### BLACK & YELLOW

Snapback trucker hat  
MAHT01-004

**\$30**



### GREY CLASSIC

Snapback trucker hat  
MAHT01-001

**\$30**



### BLACK CLASSIC

Snapback trucker hat  
MAHT01-002

**\$30**



### STRAW HAT

Choose from white logo or  
"Vice" pattern  
MAHT03-002

**\$22**



## REQUEST CATALOGS

ProCharger's industry leading catalogs are available for download at [ProCharger.com](http://ProCharger.com) or request a printed version free of charge. Call (913) 338-2886 or email [cs@procharger.com](mailto:cs@procharger.com).



### TIRE SHADE

MATS53-1

**\$30**



### BANNER

Choose from 48"x20" (\$29)  
or 96"x36" (\$49)  
PS0111-001

**\$29**



### 12" DECAL

PS0011-041

**\$3**



### 5.5" DECAL

PS0011-023

**\$3**



### KEYCHAIN

MATS52-1

**\$10**



### SUNGLASSES

Choose from blue, red,  
or black lenses  
MASG02-002

**\$20**



### KOOZIE

Choose from blue or yellow  
PS0021-072

**\$5**



### FRAME

"Blown & Intercooled"  
PS0021-002

**\$9**



### FRAME

"Contents Under Pressure"  
PS0021-001

**\$9**



### BADGE

Chrome, Matte Black, or  
Glossy Black  
PS0021-029

**\$22**





## PROCHARGER COMPLETE SYSTEMS

- ProCharger systems are sold 100% complete unless noted otherwise.
- High Output (HO) Intercooled Systems are designed for operation on vehicles with stock engines and stock exhaust.
- Stage II Intercooled Systems are designed to accommodate higher power levels, but tuning is provided for stock vehicles only.
- Tuning is available for Systems only, and only for vehicles with stock engines with stock exhaust, as well as most “cat-back” exhaust systems.
- Boost level and performance may change based on elevation.
- Complete systems with tuning require a minimum of US 91 octane gas.
- All engine and exhaust modifications must be noted at time of order. ProCharger is not responsible for boost levels or tuning for modified applications.
- Vehicles built for export and other non-US spec vehicles may require custom tuning/calibrations.
- ProCharger systems for stock vehicles are emissions legal in all 50 states where noted in the “CARB EO” column in the Applications, Specifications Price Guide. For compliance information, visit [www.arb.ca.gov](http://www.arb.ca.gov).
- Due to variability among OEM computers, the prevalence of custom modifications, and age/miles/condition of vehicles, dyno tuning may be required; stock vehicles with cat-back exhaust systems may require custom tuning.

## PROCHARGER TUNER KITS

- ProCharger Tuner Kits exclude fuel components and computer programming, but are otherwise identical to complete systems.
- HO Intercooled Tuner Kits are designed for stock and modified vehicles.
- Stage II Intercooled Tuner Kits accommodate higher power levels, and are designed for both stock and modified vehicles.
- Race Kits and components are intended for off-road/racing use only and may require modifications, trimming, and/or additional components.
- Tuner Kits are intended to be dyno-tuned by professional tuners/installers with custom programming.

## GENERAL INFORMATION

- You must list Minimum Advertised Pricing (MAP) equal to PRICE as displayed throughout this price guide. MAP = PRICE
- All prices and specifications are subject to change without prior notification. The most recently printed price guide supersedes all previous statements of product specifications and/or pricing.
- Payment is required in advance before product may be shipped. ATI accepts payment in the form of credit card (USA only), cashier's check, certified check, wire transfers or money order. Payments made by company check, cashier's check, certified check or money order may cause shipping delays while check clears, unless prior arrangements have been made with ATI.
- All products are shipped F.O.B. Accessible Technologies, Inc., Lenexa, KS. Standard shipping is via Federal Express Ground unless prior arrangements have been made with ATI.
- A drop shipment fee will apply to all system, kit and head unit orders not shipped to the purchasing dealer. \$35 for systems and kit orders, \$25 for head unit orders.
- Customer is responsible for all duties, customs, fees and shipping charges required to get product to its destination. Export shipping must be arranged in advance with ATI. All payments on export orders must be made in U.S. funds via wire transfer.
- Drop ships orders may be subject to local sales tax requirements.
- Estimated shipping dates can be obtained from ATI sales or customer service (dates are estimated and not guaranteed).
- All packed orders not shipped within 30 days will be returned to inventory and subject to a 5% restocking fee.
- Inspection of product should occur immediately upon arrival. Any claims of shortages or errors originating at ATI must be made within 5 business days from the date of receipt. Damage to product or packaging must be claimed in accordance with the carrier's policies.
- CARB EO's are applicable at time of purchase and are not retroactive. Only systems with an EO# meet emission requirements for all 50 states and are legal for street use on OEM vehicles only (stock engine, stock exhaust, etc).
- F-Series superchargers may require bellmouth or custom air inlet.
- Model years listed in the Applications, Specifications Price Guide may not be available at time of print. Call for more details.
- All i-1 systems and all special order systems/kits require non-refundable deposit. See footnotes.

## WARRANTY INFORMATION

- 12-month warranty on new, serpentine head unit purchases. Warranty does not cover owner misuse or neglect.
- 36-month head unit only warranty option is available on new, complete systems with P-series & D-1SC head units.
- Limited warranty on cog drive, gear drive or race head unit purchases. Limited means free of manufacturing defects upon receipt.
- 90-day limited warranty on serpentine head unit upgrades.
- 30-day limited warranty on serpentine head unit rebuilds/repairs.
- Exceeding the published supercharger RPM, failure to follow service procedures, or using improper supercharger orientation will void the warranty. The ProCharger warranty applies to original purchaser only and is non-transferrable.
- Failure to use ProCharger specified oil in head units and drives will void ProCharger manufacturer warranty.
- 90-day limited warranty on components purchased separately (excludes electrical and fuel components).
- 30-day limited warranty on electrical components and fuel components.
- 3-year limited warranty on new air-to-air intercoolers.
- 1-year limited warranty on new air-to-water intercoolers.
- Wastegates, methanol injection kits, aftermarket intakes, etc may cause damage to supercharger, intercooler, or intake that will not be covered under warranty.

## RETURNS

- Returns of new, unused product must be pre-approved by ATI/ProCharger. A 20% restocking fee will apply to part orders and head units, and a 12.5% restocking fee will apply to supercharger systems/kits.
- Supercharger systems/kits returned with the factory seal intact are subject to a restocking fee of 10%. No C.O.D or Freight Collect shipments will be accepted by ATI. Used, damaged, special order or discontinued items may not be returned.
- An RMA (Returned Merchandise Authorization) number must be assigned by ATI for all returns and must be displayed in clear view on the outside of the package and be contained in all correspondence.
- No returns are accepted after 90 days. Returns for electrical and fuel components are limited to 30 days.

# PROCHARGER<sup>®</sup>

SUPERCHARGER SYSTEMS

STREET OR STRIP - PROCHARGER HAS YOU COVERED WITH  
**THE ULTIMATE POWER ADDER<sup>®</sup>**

[FOR SYSTEM & KIT INFORMATION, REFER TO APPLICATIONS PRICE GUIDE]

#### FOLLOW US



#### CALL OR EMAIL

Sales/Service Phone Hours: 8:00 am–5:30 pm CST (M-F)  
For System & Kit Assistance: [sales@procharger.com](mailto:sales@procharger.com)  
For Parts Sales & Technical Support: [ts@procharger.com](mailto:ts@procharger.com)  
For Racing Sales & Support: [racing@procharger.com](mailto:racing@procharger.com)  
For Catalogs & Other Requests: [cs@procharger.com](mailto:cs@procharger.com)



14801 W. 114TH TERR LENEKA, KS 66215 • PH: (913) 338-2886 • FX: (913) 338-2879

[WWW.PROCHARGER.COM](http://WWW.PROCHARGER.COM)

